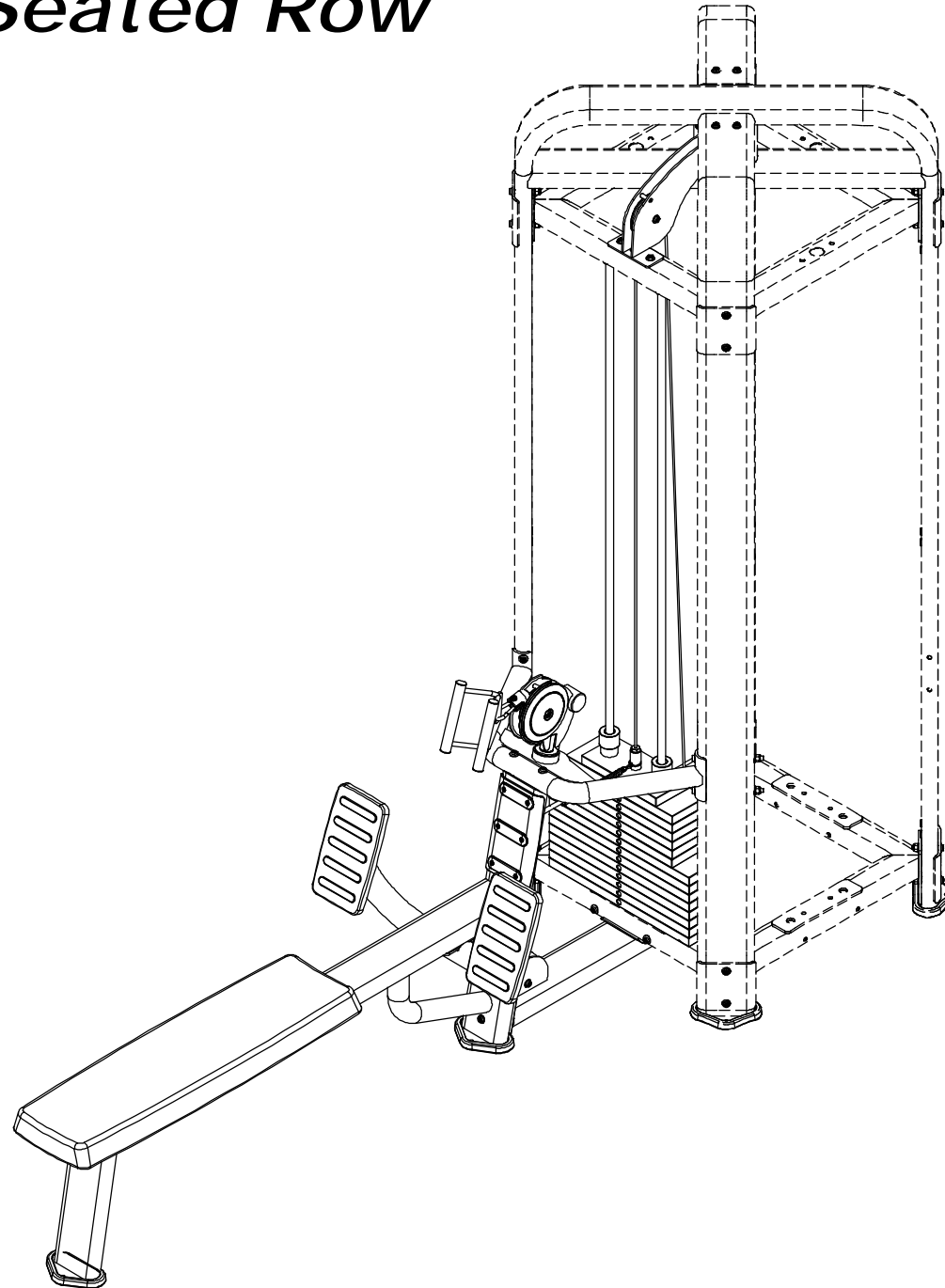


MJ-SR MJ4 Seated Row



PARTS LIST

ITEM	Qty	Part No.	Description
21	1	P04-3841	Guide Rod Holder Assembly
22	1	P20-4281	Row Base Assembly
23	2	P01-5184	Guide Rod
24	2	P06-0034	Weight Stack Cushion
25	2	A05-0212	Guide Rod Collar
26	1	P20-4282	Head Plate Assembly
27	1	P11-0210	Weight Selector Pin
28	2	KN000329	15lb Weight Plate
29	4	KN000320	20lb Weight Plate
30	1	P20-4274	Seat Frame Assembly
31	1	P20-4275	Foot Rest Assembly
32	1	P04-1419	Triangle Handle
33	1	P07-0440	Seat Pad
34	1	P20-4280	Connecting Tube Assembly
35	1	P20-4276	Swivel Pulley Assembly
36	1	P06-0035	4 1/2" Pulley
37	1	P13-0462	Cable
38	1	P05-1010	U Bracket
39	1	P05-1015	Shoulder Bolt
40	1	P06-2262	Cable Plastic Housing
41	1	P06-2129	Flatoval End Cap
42	1	P06-2136	Plastic Cover
43	2	P06-2793	Foot Rest Pad
44	2	P06-2135	Pulley Cover
45	2	P06-2208	Plastic Washer
46	2	P08-0165	Step Spacer
47	2	P05-0204	Flange Bearing
48	1	P03-0616	Sleeve
49	6	DA8E01001232YU	Buttom Head Phillip Screw #10 x 1/2"L with blue patch
50	4	DABE03861416NAU	Cap Head Screw 3/8" x 155L
51	2	DABE03861216NAU	Cap Head Screw 3/8" x 161L
53	2	DABE03823416YU	Cap Head Screw 3/8" x 2 3/4"L with blue patch
54	2	DABE03823416NAU	Cap Head Screw 3/8" x 2 3/4"L
55	5	DABE03821216YAU	Cap Head Screw 3/8" x 2 1/2"L with blue patch
56	2	DABE03820016YBU	Cap Head Screw 3/8" x 2 "L with blue patch
57	3	DABE03820016NAU	Cap Head Screw 3/8" x 2 "L
58	8	DABE03803416YBU	Cap Head Screw 3/8" x 3/4 "L with blue patch
59	14	DC322010015U	Curved Washer
60	4	DB2E03807200U	Lock Nut 3/8" x 7.2t

ITEM	Qty	Part No.	Description
61	1	DI1080080U	Snap Hook
62	1	DC100025000B	C Clip
63	1	P04-3838	Row Base Weldment
64	1	P05-0187	Spring Pin
65	2	P06-2145	Rubber Bumper
66	1	P10-0777	Head Plate
67	1	P10-0908	Shaft
68	1	P04-3837	Seat Frame Weldment
69	1	P04-3839	Foot Rest Weldment
70	1	P04-3856	Swivel Pulley Weldment
78	2	DABE03841216NAU	Cap Head Screw 3/8" x 4 1/2"L
161	1	P04-3840	Connecting Tube Weldment
162	2		Set Screws

#26 P/N P20-4282 Head Plate Assembly

