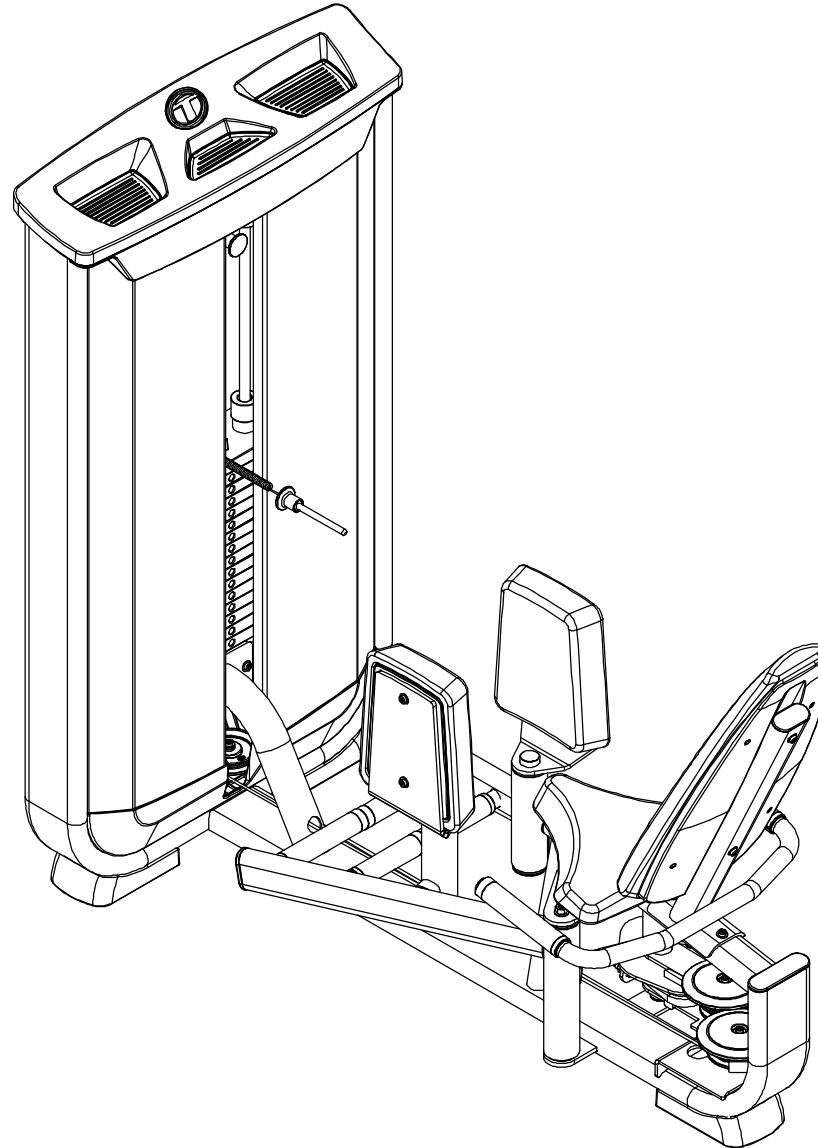


# ***HIP ABDUCTION/ADDUCTION***

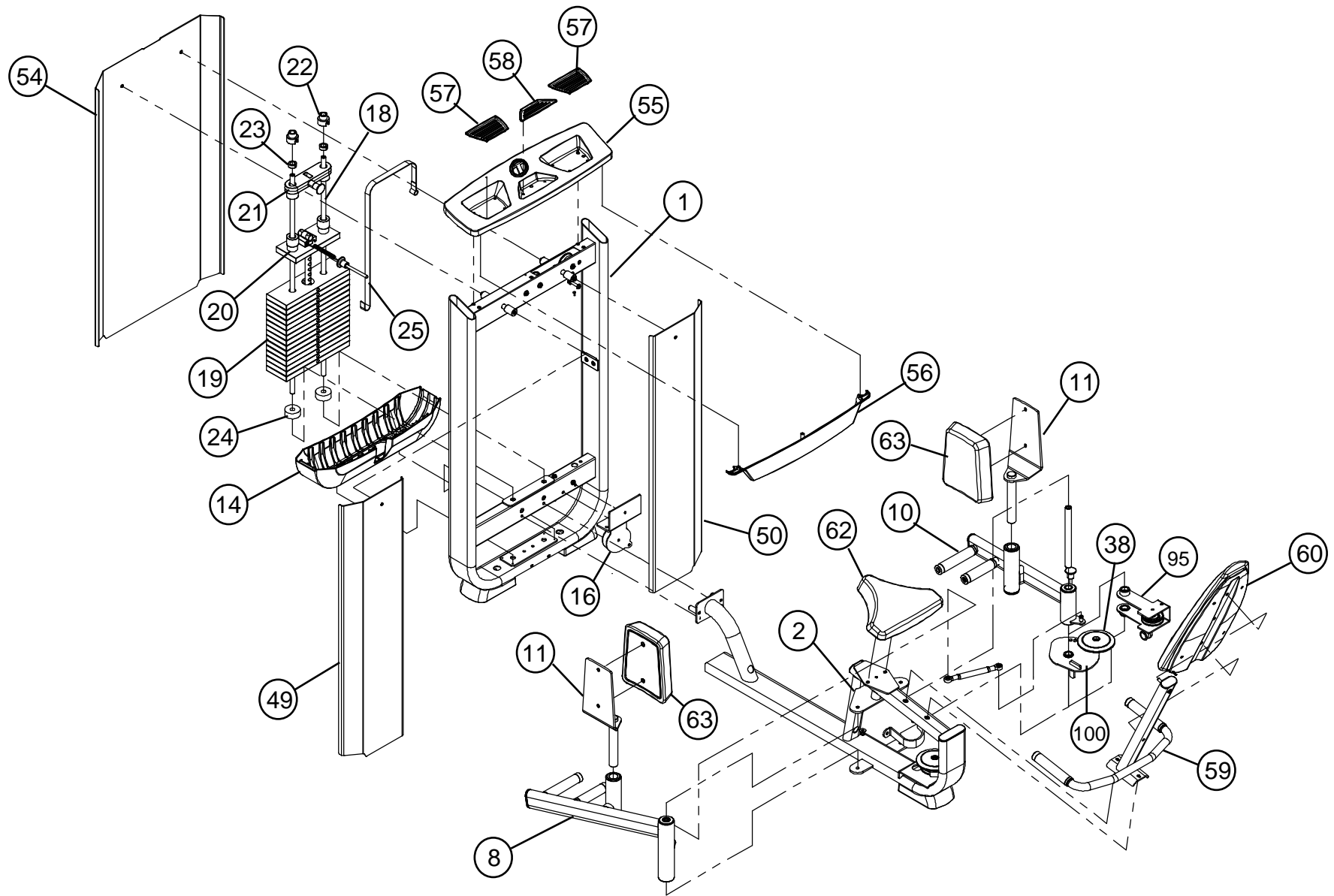


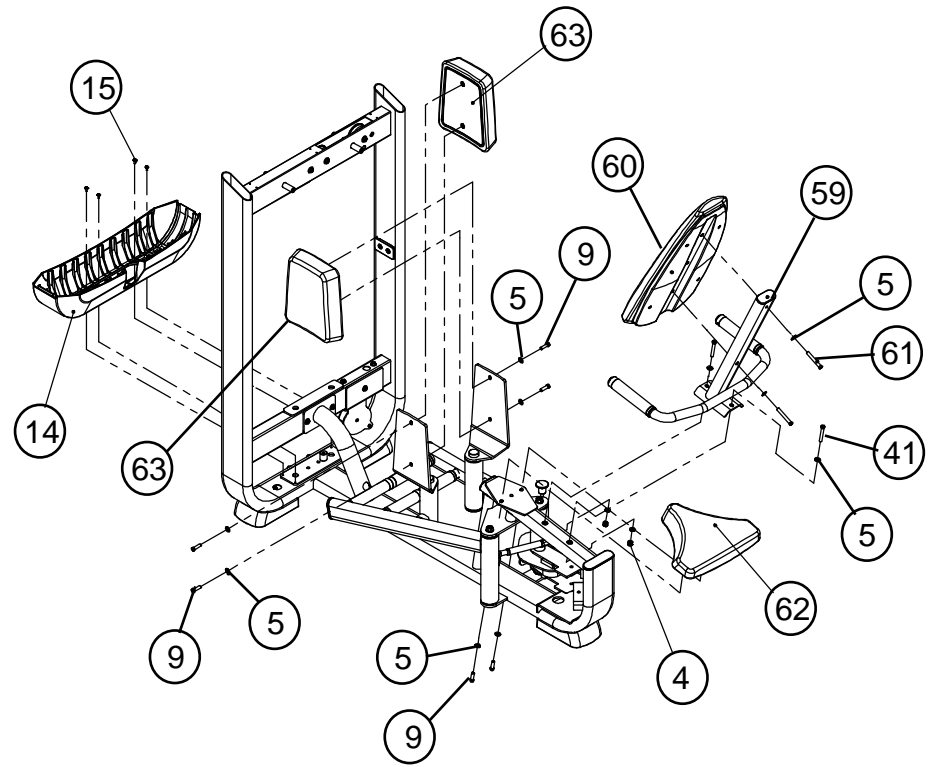
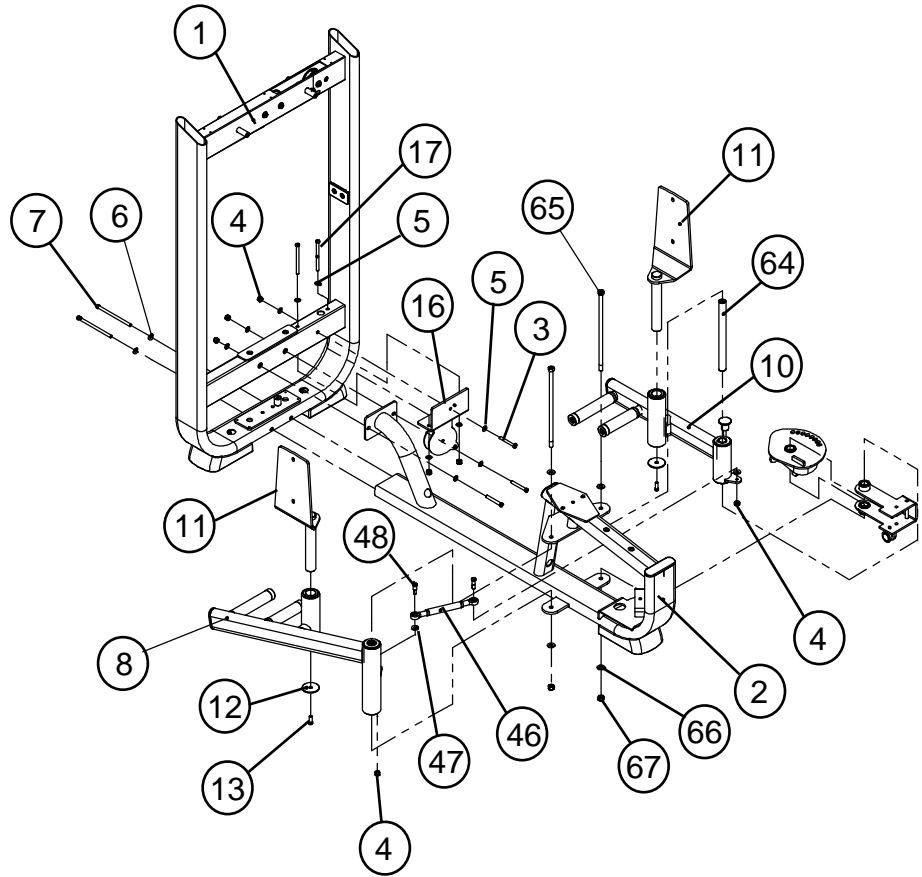
# PARTS LIST

ITEM	QTY	PART NO	Paraong P/N	DESCRIPTION	Chinese Description
1	1	53610PA	P20-4000	PTD ASSY, HAA TOWER	主架固定管組
2	1	53615PA	P20-4001	PTD ASSY, HAA MAIN FRAME	固定管組
3	3	2005410		BOLT, 3/8-16 X 2-3/4" (70mm) SOCKET HEAD	六角承窩螺絲 3/8"-16x 2 3/4"L
4	14	2001201		NUT, 3/8-16 LK ST ZN	尼龍螺帽 3/8"-16X11T
5	41	2001101		WASHER, FLAT 3/8 SAE ST ZN	平面華司20x10.5x1.0t
6	2	2003001		WASHER, 3/8" SAE CURVED	弧形華司
7	2	2006424		BOLT, 3/8-16 X 6-1/4" (159mm) SOCKET HEAD W/NP	六角承窩螺絲 3/8"-16x 6 1/4"L 點耐落
8	1	53624PA	P20-4005	PTD ASSY, HAA PIVOT ARM LEFT	固定管組左
9	10	2006404		BOLT, 3/8-16 X 1-1/4" (32mm) SOCKET HEAD W/NP	六角承窩螺絲 3/8"-16x 1 1/4"L 點耐落
10	1	5363401	P20-4006	ASSY, HAA PIVOT ARM RIGHT	右固定管組
11	2	5365101	P04-3614	WLDMT, HAA KNEE PAD SUPPORT	固定片組
12	2	5215901	P05-0979	CAP, AL END 6205Z BEARING HOUSING	鋁蓋
13	2	2006403		BOLT, 3/8-16 X 1" (25mm) SOCKET HEAD W/NP	六角承窩螺絲 3/8"-16x 1"L 點耐落
14	1	5212601	P06-2151	COVER, TOWER BASE	塑膠底座
15	12	2004802		SCREW, 10-32 X 1/2" (12MM) PAN HEAD W/NP	大扁頭十字螺絲#10-32x1/2"L 點耐落
16	1	5365901	P04-3615	WLDMT, HAA TOWER PULLEY	固定片組
17	2	2005418		BOLT, 3/8-16 X 4-3/4" (121mm) SOCKET HEAD	六角承窩螺絲 3/8"-16x 4 3/4"L
18	2	5365601	P01-4919	GUIDE ROD, 19 DIA X 1085	升降桿
19	15	52101PA	P10-0778	PTD ASSY, 15 LB WEIGHT PLATE	選擇片
20	1	5250201-C	P20-2989	ASSY, 15 PLATE HEAD PLATE	上片組
21	1	5218201-D	P20-2988	ASSY, 7.5LB INC. WEIGHT	配重塊
22	2	5209801	P06-2144	BUSHING, GUIDE ROD RETAINER	升降杆護套
23	2	5095301	A05-0212	SHAFT COLLAR, GUIDE ROD	固定軸套
24	2	5098201	P06-0034	CUSHION, WEIGHT STACK	橡膠墊
25	1	5365701	P17-0021	BELT, HAA TOWER	皮帶
26	1	5347301	P03-2178	SPACER, 16 OD X 10.1 ID X 30	套管
27	2	5208201-A	P02-4266	PLATE, BELT CLAMP	固定片
28	2	2005404		BOLT, 3/8-16 X 1-1/4" (32mm) SOCKET HEAD	六角承窩螺絲 3/8"-16x 1 1/4"L
29	1	5365801	P13-0421	CABLE ASSY, HAA	連接鋼索
30	1	5347101	P03-2177	HOUSING, CABLE SWIVEL END	套管
31	1	5394901	P05-1214	END, 3/16 CABLE SWIVEL	鋼索固定塊
32	1	5297601-A	P05-1012	BEARING, CYLINDRICAL ROLLER 20 ID X 35 OD X 10	滾子軸承
33	2	2005407		BOLT, 3/8-16 X 2" (51mm) SOCKET HEAD	六角承窩螺絲 3/8"-16x 2"L
34	1	2004301		NUT, 3/8-16 LH LK ST ZN	尼龍螺帽 3/8"-16X7.2T
35	3	5094501	P06-0961	PULLEY, 4-1/2 OD X 25	大滑輪
36	1	5078001-A	P02-2513	BRKT, CBL RET 4-1/2 PULLEY	L型片
37	1	2006407		BOLT, 3/8-16 X 2" (51mm) SOCKET HEAD W/NP	六角承窩螺絲 3/8"-16x 2"L 全牙 點耐落
38	2	5214601-C	P06-2135	COVER, PULLEY 152MM DIA	護蓋
39	2	5217601-A	P06-2208	WASHER, RUBBER 19 ID X 25 OD X 3	墊片
40	2	5216301-A	P08-0165	SPACER, FLNG 16.2 X 10.2 X 7.5	T帽套管

41	3	2005409		BOLT, 3/8-16 X 2-1/2" (64mm) SOCKET HEAD	六角承窩螺絲 3/8"-16x 2 1/2"L
42	1	5094401	P06-0960	PULLEY, 3-1/2 OD X 25	小滑輪
43	2	5157201-A	P03-1422	SPACER, 16 OD X 10.1 ID X 20	小套管
44	1	2005416		BOLT, 3/8-16 X 4-1/4" (108mm) SOCKET HEAD	六角承窩螺絲 3/8"-16x 4 1/4"L
45	2	2002601		NUT, 1/2 JAM ST ZN	1/2 螺帽
46	1	5366401	P20-4007	ASSY, HAA PIVOT LINK	連接鐵心組
47	2	2008001		WASHER, FLAT 3/8" USS	平面華司25x10x2.0t
48	2	2007002	P05-1045	BOLT, 11.9 DIA X 18.5MM SHOULDER W/NP	限位螺絲
49	1	5212901-B	P10-0785	SHROUD, TOWER FRONT - LH	左前護網
50	1	5248901-A	P10-0807	SHROUD, TOWER FRONT N/O	右前護網
51	1	5297701		LABEL, WEIGHT STACK 15LBS	磅數表
52	4	2005405		BOLT, 3/8-16 X 1-1/2" (38mm) SOCKET HEAD	六角承窩螺絲 3/8"-16x 1 1/2"L
53	4	5213201	P06-2146	MOUNT, 19MM ID STANDOFF	橡膠套
54	1	5297001	P10-0783	ASSY, REAR SHROUD	后護網
55	1	5294601	P20-2990	ASSY, TOWER CAP	塑膠蓋組
56	1	5366601		ASSY, HAA PLACARD	塑膠組含運動看板
57	2	5244001	P06-2155	TRAY, TOWER CAP - LARGE	橡膠墊
58	1	5244101	P06-2156	TRAY, TOWER CAP - SMALL	橡膠墊
59	1	53654PA	P20-4002	PTD ASSY, HAA BACK PAD SUPPORT	把手管組
60	1	5223001-B	P20-3036	ASSY, BACK PAD W/PLASTIC COVER	背墊組
61	2	2006410		BOLT, 3/8-16 X 2-3/4" (70mm) SOCKET HEAD W/NP	六角承窩螺絲 3/8"-16x 2 3/4"L 點耐落
62	1	5246201	P07-0434	PAD, SMALL SEAT	座墊
63	2	5276801-A	P07-0441	PAD, 11 X 11-1/2 TAPERED	腿墊
64	1	5363101	P03-2562	PIVOT SHAFT	套管
65	2		P04-3947	BOLT	螺桿
66	4			WASHER, FLAT 1/2 SAE ST ZN	平面華司 26X13X2.0T
67	2			NUT, 1/2-13 LK ST ZN	尼龍螺帽 1/2-13X12T
68	1	5223801-B	P04-2813	PLATE, LIMIT	限位片組
69	1	5361001	P04-3607	HAA TOWER WELDMENT	主架固定管
70	4	5213001-A	P06-2143	CUSHION, SHROUD HOLDER	緩衝墊
71	3	5293901-B	P06-2254	FOOT, TOWER	腳墊
72	6	5248501-A	P08-0121	SPACER, FLNG 16.2 X 10.1 X 6	T帽套管
73	12			AVK INSERT	拉帽
74	12	2006503		BOLT, 1/4-20 X 3/4" (19mm) SOCKET HEAD W/NP	六角承窩螺絲 1/4"x 3/4"L 點耐落
75	4			WASHER, FLAT 12 X 5.2 X1.0T	平面華司12X5.2X1.0T
76	12			WASHER, FLAT 16 X 6.5 X 1.0T	平面華司16X6.5X1.0T
77	2			BOLT, 3/8-16 X 3-1/2" (89mm) SOCKET HEAD	六角承窩螺絲 3/8"x 3-1/2"L
78	1	5203801-A	A06-0231	PULLEY, 3" DIA BELT	平皮帶滑輪
79	1	5361501	P04-3608	HAA MAIN FRAME WELDMENT	固定管
80	1		A06-0529	FLATOVAL END CAP	橢圓管塞
81	1		P06-0134	HOLE CAP	扣塞
82	1	5205401-A	P06-2129	END CAP, FLATOVAL	橢圓管塞

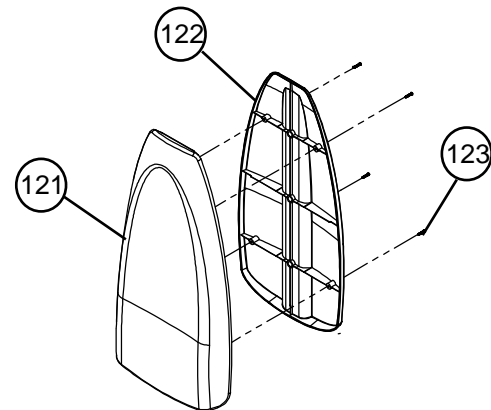
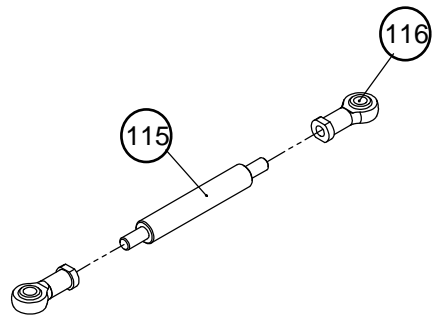
83	1	5362401	P04-3609	HAA PIVOT ARM LEFT	固定管
84	4		P05-0204	FLANGE BEARING	法蘭培林
85	6	5096301-B	P05-0997	COLLAR	鋁環
86	2	5205201-A	P06-2188	BUMPER	緩衝墊
87	2	5217801-A	P06-2215	LOWER FOOT GRIP	把手套
88	2	5208801-A	P06-2216	UPPER FOOT GRIP	把手套
89	4	5366301	P06-2794	BUMPER	緩衝墊
90	4	5355301	P08-0207	BUSHING	含油軸承
91	4			BOLT, 3/8-16 X 1-1/2" (38mm) SOCKET HEAD W/NP	六角承窩螺絲 3/8"-16x 1 1/2"L 點耐落
92	16			SET SCREW M4x3mmL	止付螺絲
93	1	5364601	P04-3610	HAA PIVOT ARM RIGHT	右固定管
94	1	5366901	P11-0226	ADJUSTMENT PIN	調整彈簧插銷組
95	1	53635PA	P20-4004	ASSY, HAA CAM SUPPORT	固定片組
96	1	5363501	P04-3613	HAA CAM SUPPORT	固定片
97	1	5205601-A	P06-2255	CUSHION	緩衝墊
98	6		P08-0037	BUSHING	含油軸承
99	1	PKMNN038-025	A05-0190	JAM NUT	六角螺帽
100	1	53640PA	P20-4003	ASSY, HAA CAM	調整片組
101	1	5364001	P04-3612	HAA CAM WELDMENT	調整片
102	1	52102PA-B	P10-0777	15LB HEAD PLATE	上片組
103	1	5210901-A	P10-0781	SELECTOR STEM	選擇桿
104	1	5303701-A	P02-4395	LANYARD CLIP	卡片
105	1	5211301-A	P03-1946	BELT CLAMP	鐵心
106	1		P05-0187	CLEVIS PIN	彈簧鞘
107	1	5211201-B	P06-2134	BELT CLAMP HOUSING	塑膠塊
108	2	5218401-B	P06-2145	BUMPER	橡膠墊
109	1	5245301	P11-0183	WEIGHT STACK SELECTOR PIN	選擇桿插鞘組
110	2			BOLT, 3/8-16 X 1-3/4" (45mm) SOCKET HEAD W/NP	六角承窩螺絲 3/8"x1 3/4"L 點耐落
111	1	52180PA-C	P10-0780	7.5LB INC. WEIGHT	配重塊
112	1	5218101-A	P05-0991	PIN, 7.5LB INC. WEIGHT	插鞘桿
113	1	P46609-101	A05-1079	SPRING	壓縮彈簧
114	1	5244901-C	P06-2132	KNOB, 7.5LB INC. WEIGHT	插銷頭
115	1	5366501	P03-2574	HAA PIVOT LINK	鐵心
116	2	5216401-A	P05-0977	ROD END, M-12 FEMALE	關節軸承
117	1	5243801-C	P06-2152	TOWER CAP	塑膠蓋
118	1		P10-0098	BADGE	銘牌
119	1	5365401	P04-3611	HAA BACK PAD SUPPORT	把手管
120	2	5096601-B	P05-0996	ALUMINUM CAP	鋁蓋
121	1	5223101-A	P07-0429	BACK PAD	背墊
122	1	5223201-B	P06-2159	COVER, BACK PAD	背墊護蓋
123	4			SCREW, ROUND HEAD PHILLIP SELF TAPPING M4X20L	圓頭十字自攻螺絲

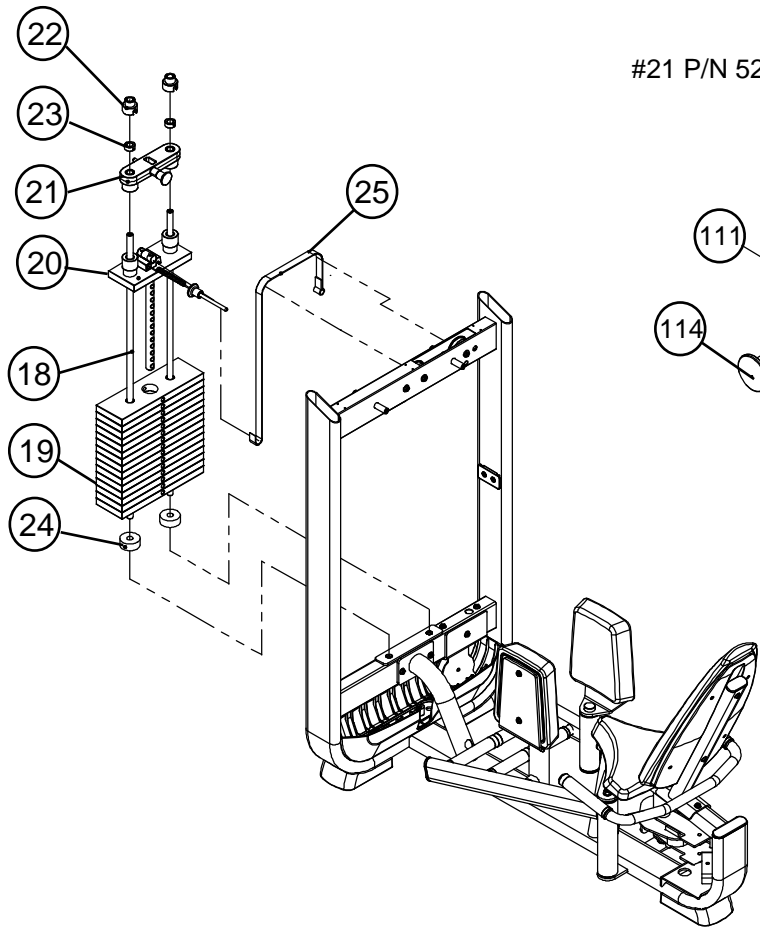




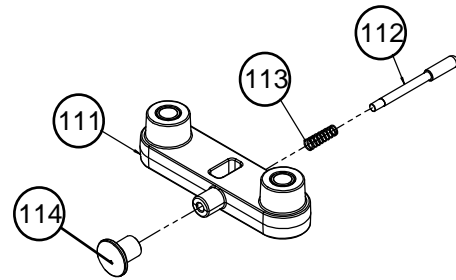
#60 P/N 5223001-B ASSY, BACK PAD W/PLASTIC COVER

#46 P/N 5366401 ASSY, HAA PIVOT LINK

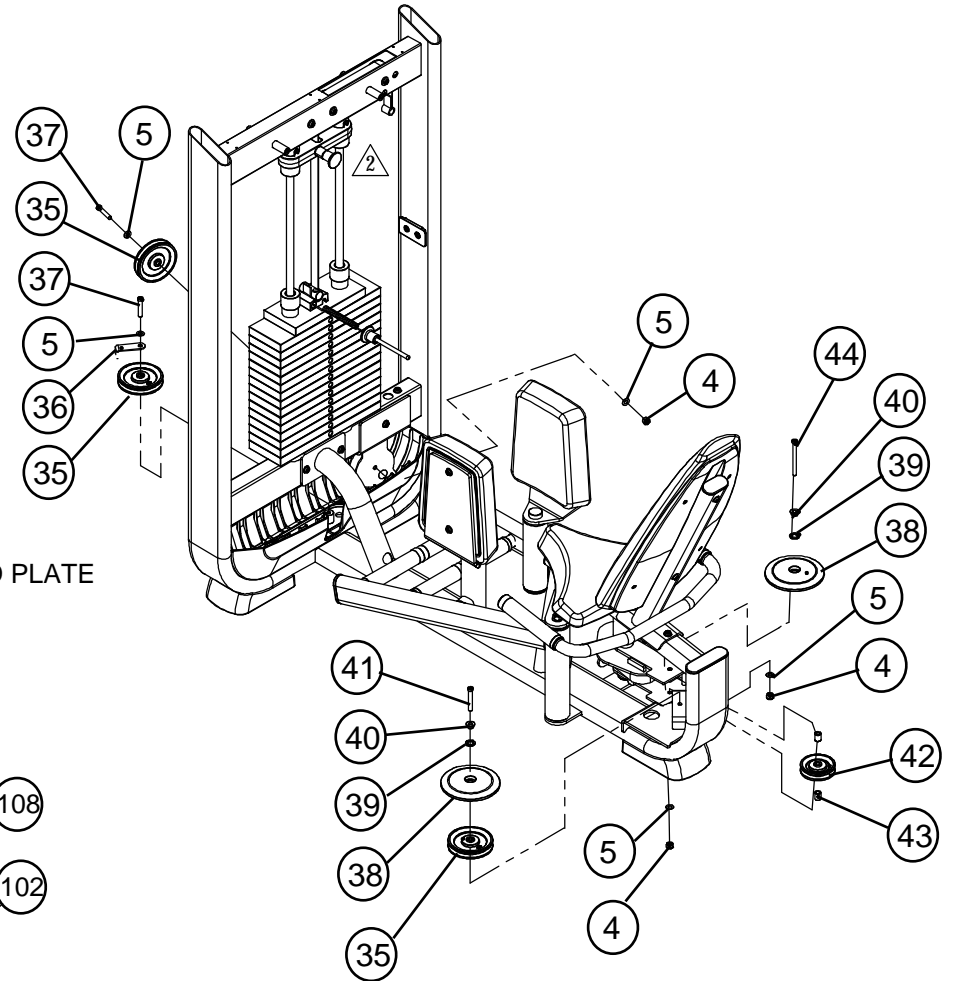
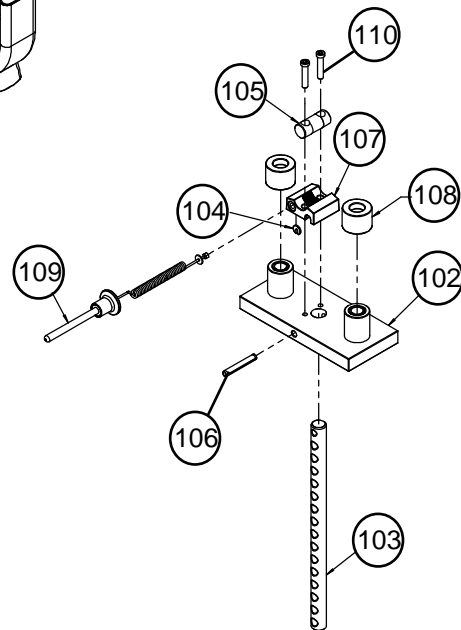


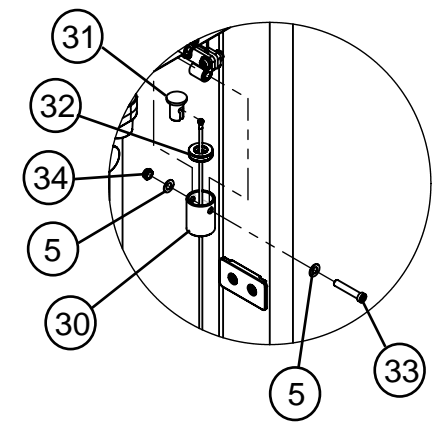
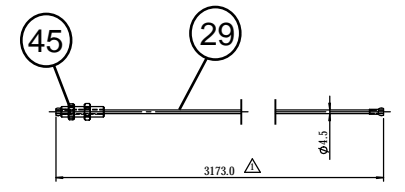
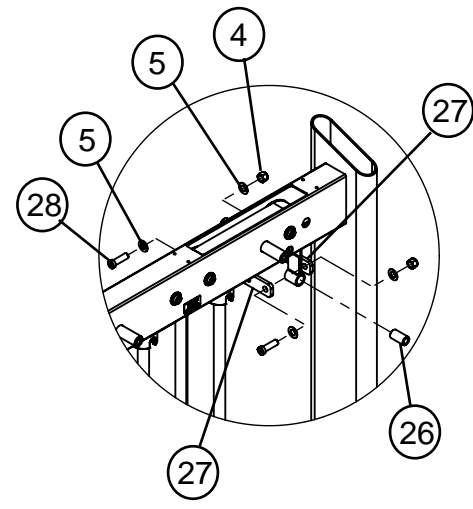
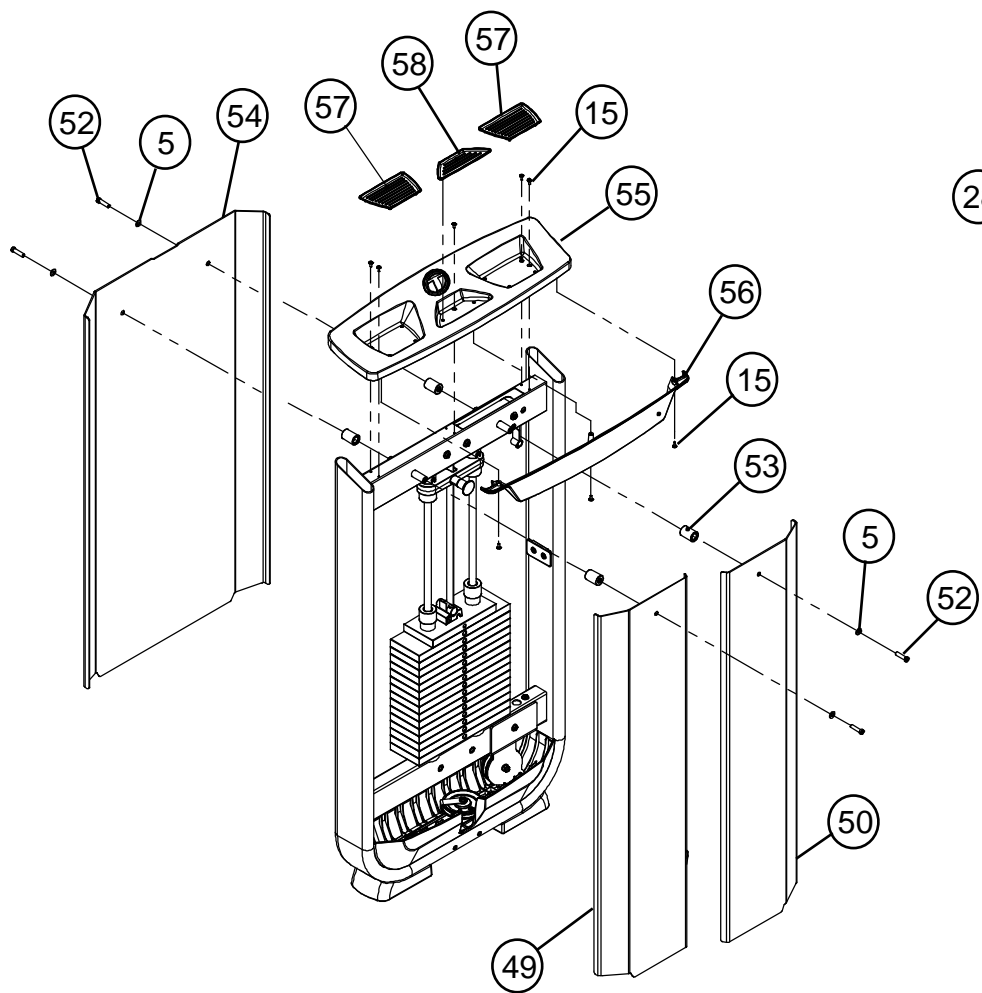


#21 P/N 5218201-D ASSY, 7.5LB INC. WEIGHT

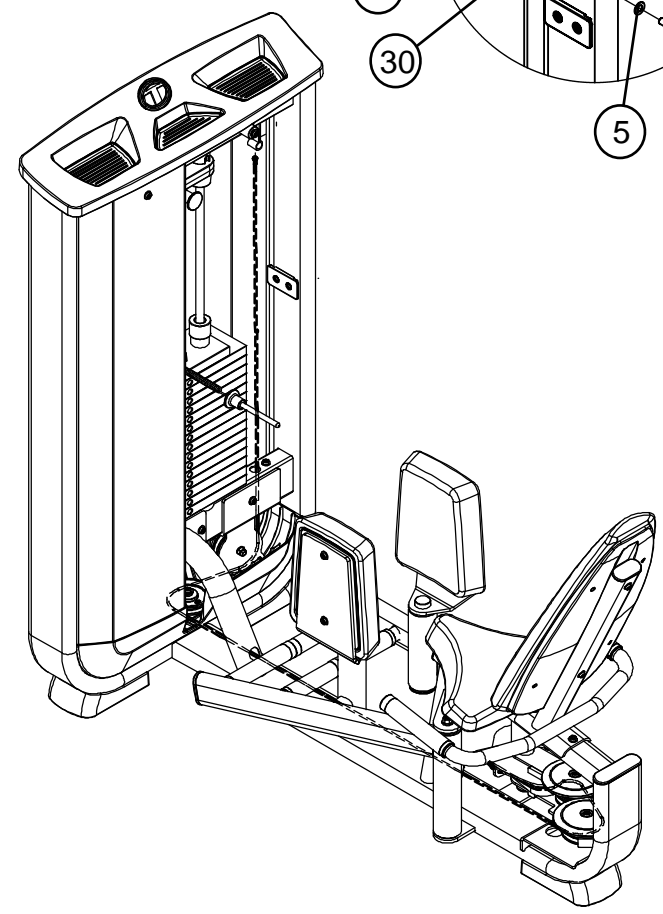
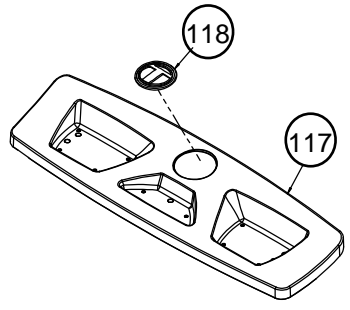


#20 P/N 5250201-C ASSY, 15 PLATE HEAD PLATE



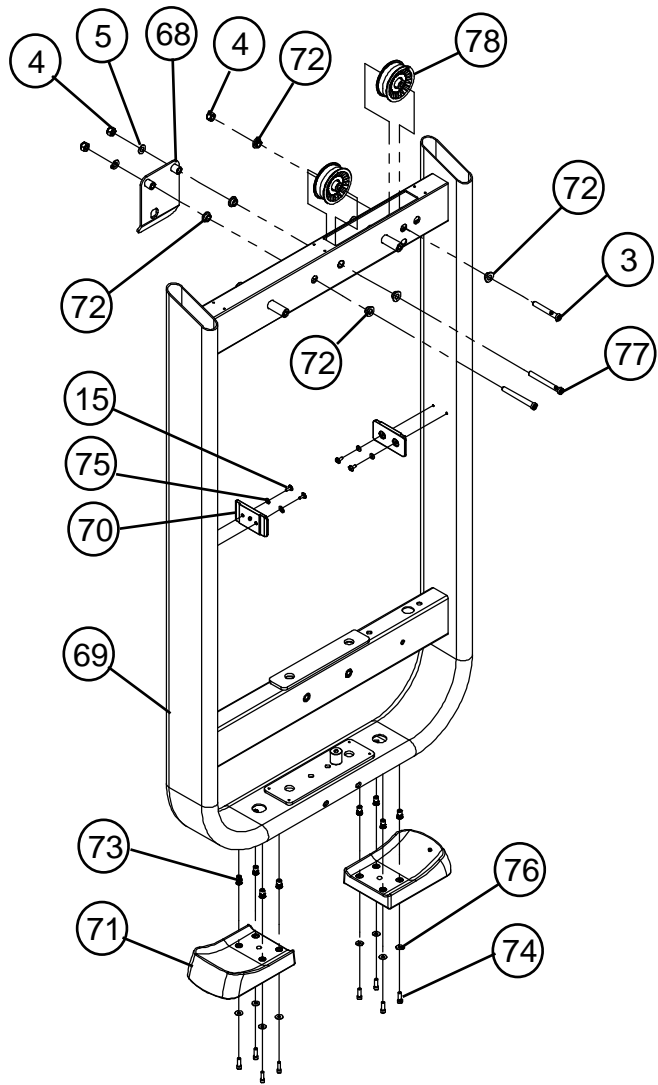


#55 P/N 5294601 ASSY, TOWER CAP

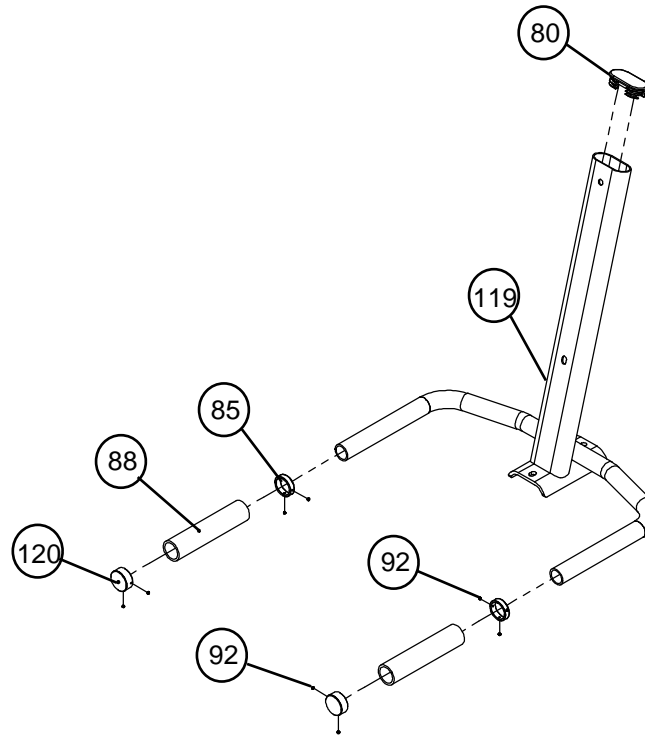




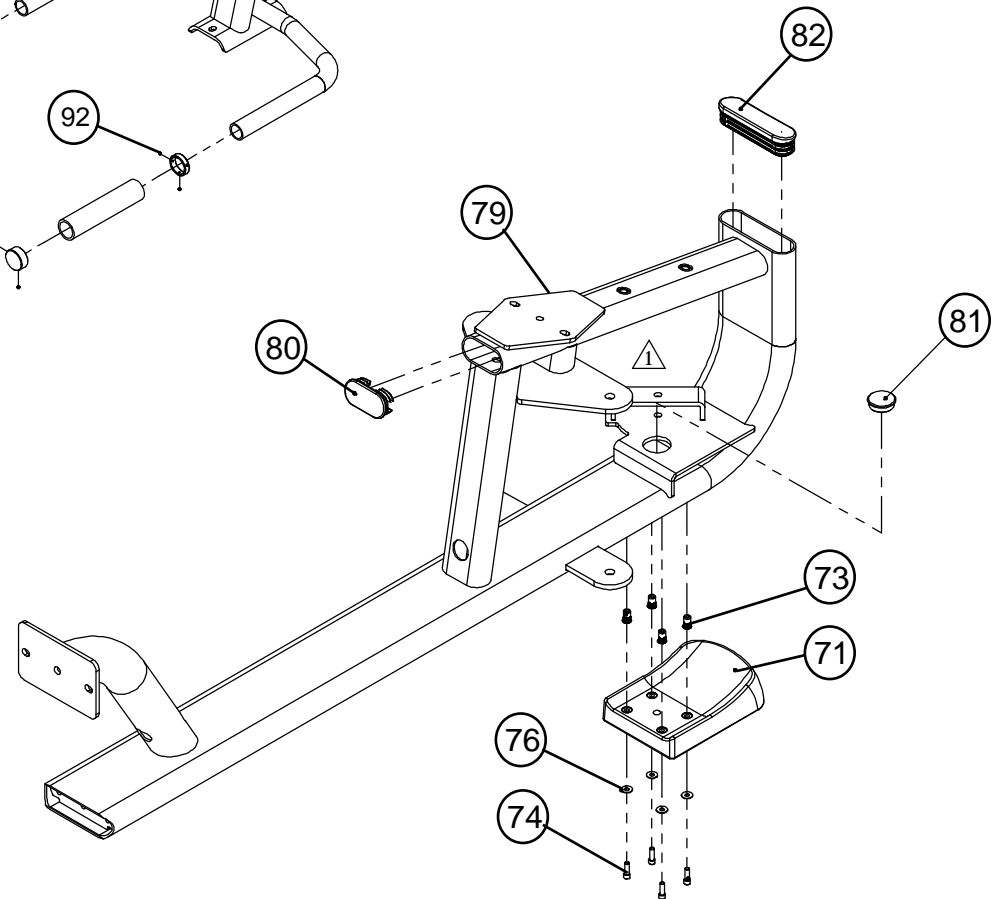
#1 P/N 53610PA PTD ASSY, HAA TOWER



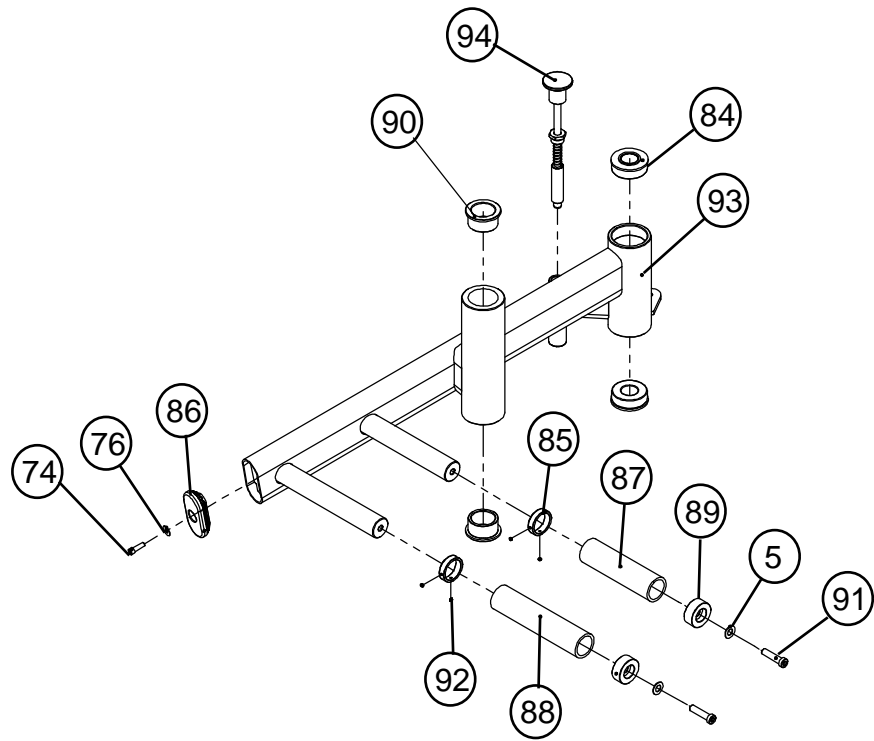
#59 P/N 53654PA PTD ASSY, HAA BACK PAD SUPPORT



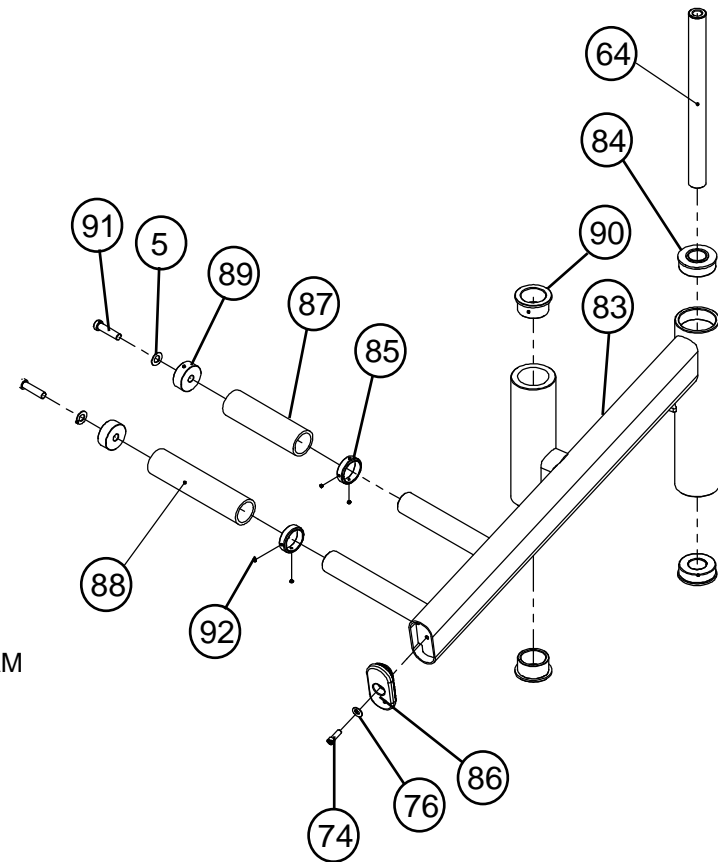
#2 P/N 53615PA PTD ASSY, HAA MAIN FRAME



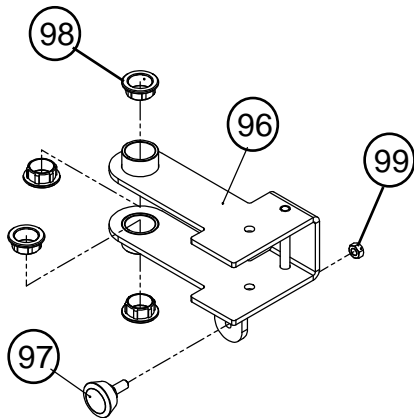
#10 P/N 5363401 ASSY, HAA PIVOT ARM RIGHT



#8 P/N 53624PA PTD ASSY, HAA PIVOT ARM LEFT



#95 P/N 53635PA ASSY, HAA CAM SUPPORT



#100 P/N 53650PA ASSY, HAA CAM

