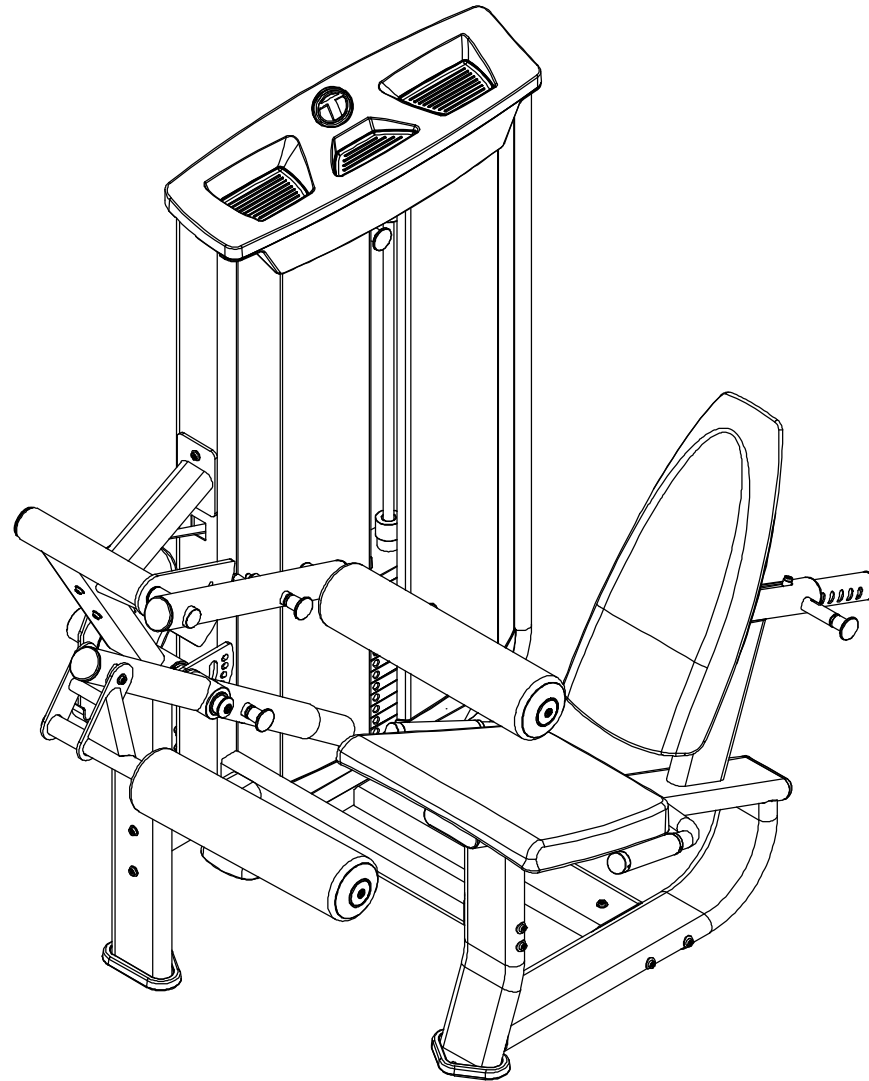


# ***SEATED LEG CURL***

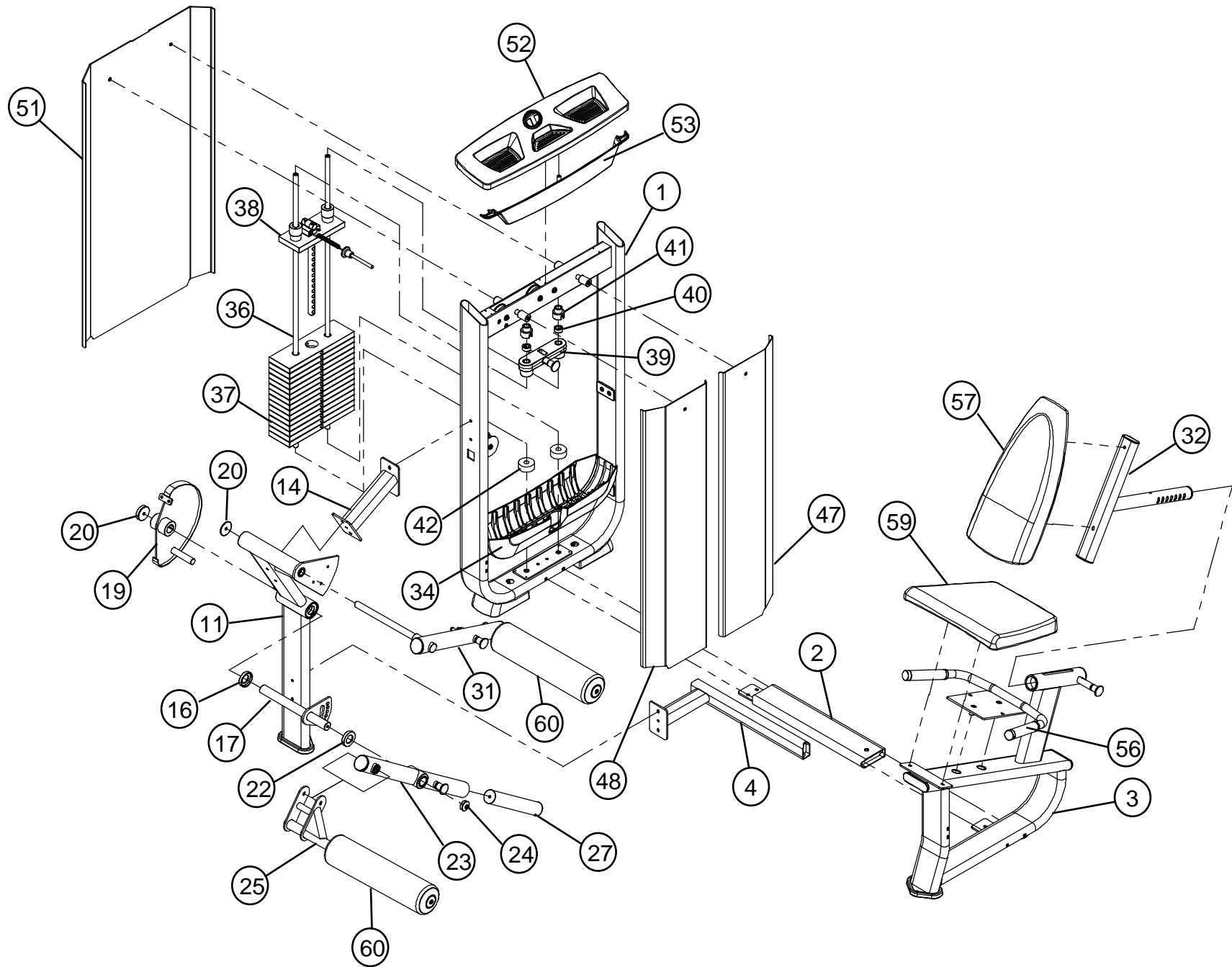


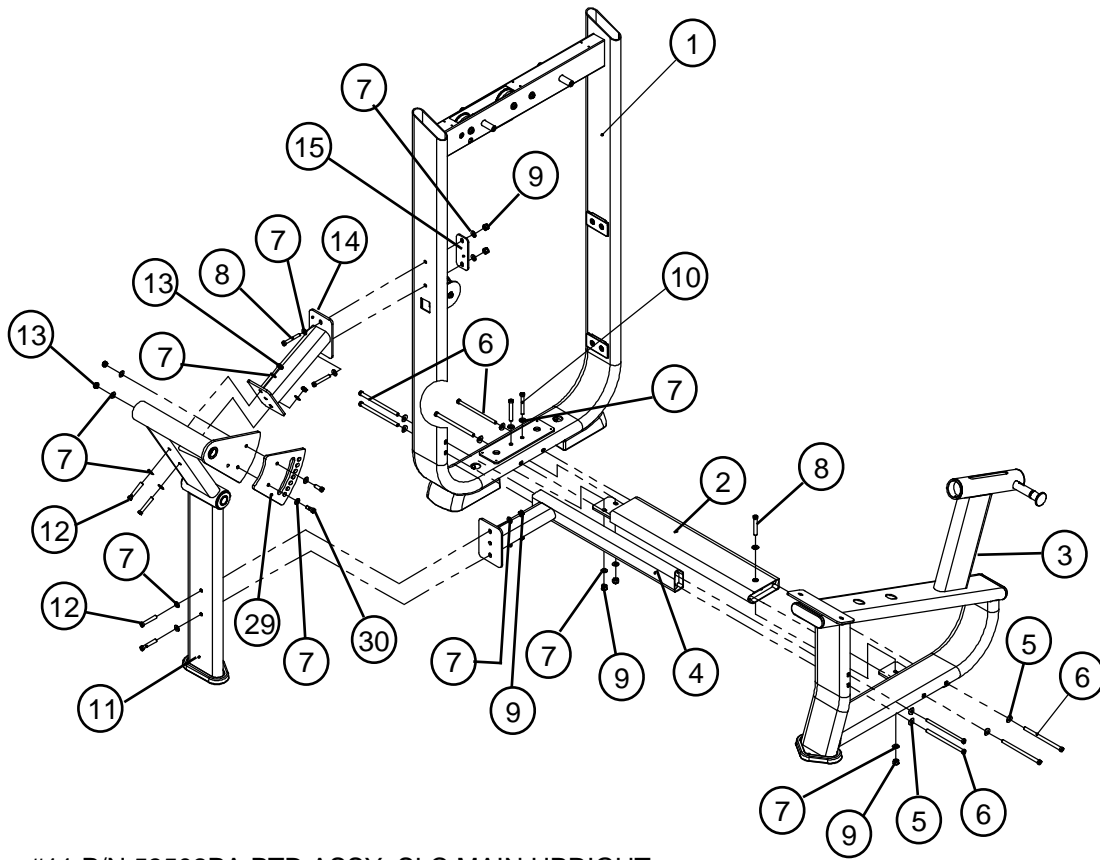
# PARTS LIST

ITEM	QTY	PART NO	Paraong P/N	DESCRIPTION	Chinese Description
1	1	52518PA-C	P20-3052	PTD ASSY, SLC TOWER	主架固定管組
2	1	52520PA-A	P04-2886	PTD ASSY, BASE CONNECTOR	連接管
3	1	52522PA-C	P20-3053	PTD ASSY, SLC FRAME	固定立管組
4	1	5252901-A	P04-2887	WLDMT, FRONT CONNECTOR	連接管
5	9	2003001		WASHER, 3/8" SAE CURVED	弧形華司
6	8	2006424		BOLT, 3/8-16 X 6-1/4" (159mm) SOCKET HEAD W/NP	六角承窩螺絲 3/8"x 6-1/4"L 點耐落
7	40	2001101		WASHER, FLAT 3/8 SAE ST ZN	平面華司20X10.5X1.0T
8	3	2005409		BOLT, 3/8-16 X 2-1/2" (64mm) SOCKET HEAD	六角承窩螺絲 3/8"x 2-1/2"L
9	5	2001201		NUT, 3/8-16 LK ST ZN	尼龍螺帽3/8"-16x11T
10	2	2005410		BOLT, 3/8-16 X 2-3/4" (70mm) SOCKET HEAD	六角承窩螺絲 3/8"x 2-3/4"L
11	1	53502PA	P20-3054	PTD ASSY, SLC MAIN UPRIGHT	支撐管組
12	4	2005408		BOLT, 3/8-16 X 2-1/4" (57mm) SOCKET HEAD	六角承窩螺絲 3/8"x 2-1/4"L
13	8	2004301		NUT, 3/8-16 LH LK ST ZN	尼龍螺帽3/8"-16x7.2T
14	1	5256401-A	P04-2889	WLDMT, UPRIGHT CONNECTOR	連接管
15	1	5285001-A	P02-4389	PLATE, 50 X 120 X 4MM	連接片
16	2	5349201	P03-2181	SPACER, 35 ID X 45 OD X 8	套管
17	1	5356501	P04-2838	WLDMT, ADJUSTABLE START	調整片組
18	1	5349101	P05-1008	KEY, 35mm CAM SHAFT	固定塊
19	1	5350101	P04-2890	WLDMT, SLC CAM	固定片組
20	2	5215901-B	P05-0979	CAP, AL END 6205Z BEARING HOUSING	鋁蓋
21	2	2006402		BOLT, 3/8-16 X 3/4" (19mm) SOCKET HEAD W/NP	六角承窩螺絲 3/8"x 3/4"L 點耐落
22	1	5357501	P03-2004	SPACER, PIVOT ARM	阻擋片
23	1	53573PA	P20-3055	PTD ASSY, SLC PIVOT ARM	固定管組
24	1	5356301	P05-1208	CAP, LARGE AL END PIVOT POINT	鋁蓋
25	1	52557PA-B		PTD ASSY, LEG PIVOT	泡棉管組
26	8	2006404		BOLT, 3/8-16 X 1-1/4" (32mm) SOCKET HEAD W/NP	六角承窩螺絲 3/8"x 1-1/4"L 點耐落
27	1	5222501-B	P03-1945	COUNTER WEIGHT, 325 LONG DIPPED	配重鐵心
28	5	2006403		BOLT, 3/8-16 X 1" (25mm) SOCKET HEAD W/NP	六角承窩螺絲 3/8"x 1"L 點耐落
29	1	5252701-B	P02-4335	PLATE, KNEE HOLD DOWN ADJ	調整片
30	2	2005403		BOLT, 3/8-16 X 1" (25mm) SOCKET HEAD	六角承窩螺絲 3/8"x 1"L
31	1	52560PA-B		PTD ASSY, SLC KNEE HOLD DOWN	泡棉管組
32	1	52567PA-A	P20-2978	PTD ASSY, BACK PAD ADJ	背墊固定管組
33	1	5234801	P03-2019	BUSHING, STOP	套管
34	1	5212601-C	P06-2151	COVER, TOWER BASE	塑膠底座
35	12	2004802		SCREW, 10-32 X 1/2" (12MM) PAN HEAD W/NP	大扁頭十字螺絲#10-32x1/2"L 點耐落
36	2	5209701-A	P01-3735	GUIDE ROD, 19 DIA X 1315	升降桿
37	15	52101PA-B	P10-0778	PTD ASSY, 15 LB WEIGHT PLATE	選擇片
38	1	5250201-C	P20-2989	ASSY, 15 PLATE HEAD PLATE	上片組
39	1	5218201-D	P20-2988	ASSY, 7.5LB INC. WEIGHT	配重塊組
40	2	5095301	A05-0212	SHAFT COLLAR, GUIDE ROD	固定軸套

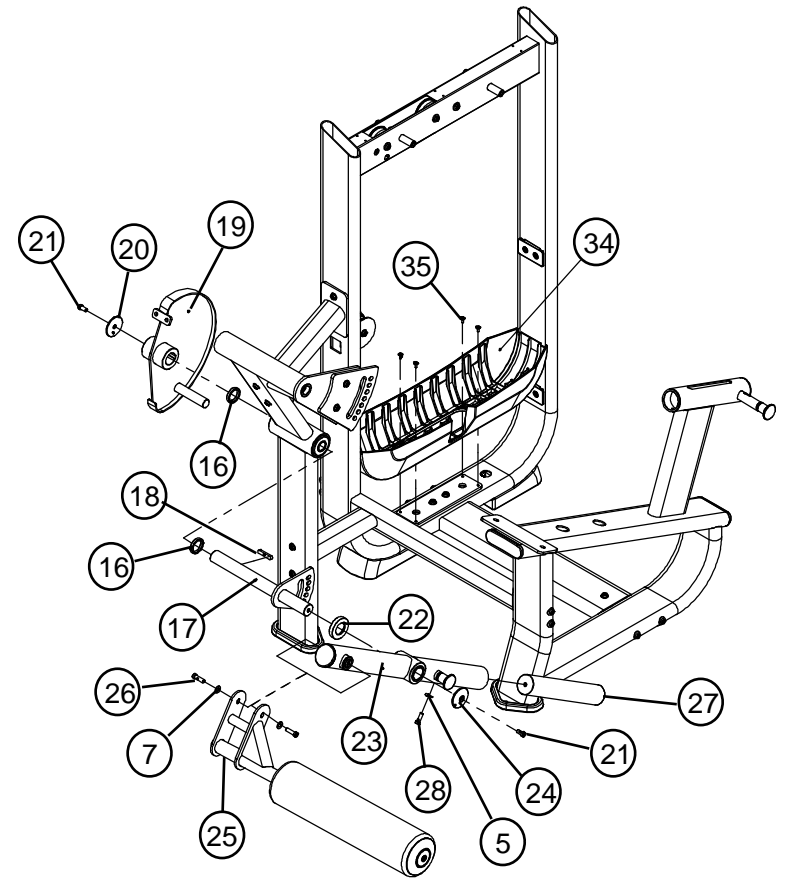
41	2	5209801	P06-2144	BUSHING, GUIDE ROD RETAINER	升降桿護套
42	2	5098201	P06-0034	CUSHION, WEIGHT STACK	緩衝墊
43	1	5263801-B	P17-0013	BELT, SLC TOWER	皮帶
44	1	5209501-A	P02-4387	PLATE, BELT WRAP	固定片
45	1	5208201-A	P02-4266	PLATE, BELT CLAMP	固定片
46	6	2005405		BOLT, 3/8-16 X 1-1/2" (38mm) SOCKET HEAD	六角承窩螺絲 3/8"x 1-1/2"L
47	1	5248901-A	P10-0807	SHROUD, TOWER FRONT N/O	右前護網
48	1	5212901-B	P10-0785	SHROUD, TOWER FRONT - LH	左前護網
49	1	5297701-A		LABEL, WEIGHT STACK 15LBS	磅數表
50	4	5213201-B	P06-2146	MOUNT, 19MM ID STANDOFF	橡膠套
51	1	5297001-A	P10-0783	ASSY, REAR SHROUD	后護網
52	1	5294601-A	P20-2990	ASSY, TOWER CAP	塑膠蓋組
53	1	5296601-A		ASSY, SLC PLACARD	塑膠蓋含運動看板
54	2	5244001-A	P06-2155	TRAY, TOWER CAP - LARGE	橡膠墊
55	1	5244101-A	P06-2156	TRAY, TOWER CAP - SMALL	橡膠墊
56	1	52672PA-A	P20-2977	PTD ASSY, HANDLE	把手管組
57	1	5223001-B	P20-3036	ASSY, BACK PAD W/VINLY & COVER	背墊組
58	2	2006410		BOLT, 3/8-16 X 2-3/4" (70mm) SOCKET HEAD W/NP	六角承窩螺絲 3/8"x 2-3/4"L 點耐落
59	1	5248101-A	P07-0436	PAD, LARGE SEAT	膝墊
60	2	5246801-D	P06-2172	PAD, LONG ROLLER	泡棉
61	2	5222201-A	P05-0978	CAP, AL ROLLER PAD	鋁蓋
62	1	5265601-A	P04-2896	LE MAIN FRAME WELDMENT	固定立管
63	1	20059-A	P05-0988	CLEVIS PIN	開口銷
64	1	5205401-A	P06-2129	END CAP, FLATOVAL	橢圓管塞
65	2	5234301-B	P06-2131	SLEEVE	中管塞
66	1	5257201-A	P06-2203	FOOT PAD	橡膠墊
67	1	5294101-A	P06-2256	Main Frame Leveler	腳墊
68	1	5280401-A	P11-0190	Adjustment Pin	調整彈簧插軸組
69	2			SCREW, 10-32 X 5MM PAN HEAD W/NP	大扁頭十字螺絲#10-32x5MM 點耐落
70	1	5253201-A	P04-2888	SLC MAIN UPRIGHT	支撐管組
71	2			6007ZZ BEARING	培林
72	1	5205201-A	P06-2188	BUMPER	緩衝墊
73	2		P08-0037	BUSHING	含油軸承
74	9			WASHER, FLAT 16 X 6.5 X 1.0T	平面華司16X6.5X1.0T
75	1	2006503		BOLT, 1/4-20 X 3/4" (19mm) SOCKET HEAD W/NP	六角承窩螺絲 1/4"x 3/4"L 點耐落
76	1			BOLT, 3/8-16 X 1-3/4" (45mm) SOCKET HEAD W/NP	六角承窩螺絲 3/8"x1 3/4"L 點耐落
77	1	5263401-A	P03-1988	SHAFT	鐵心
78	1	5263501-B	P03-2022	SPACER	套管
79	1	5255201-B	P04-2891	SLC PIVOT ARM	固定管組
80	1	5226801-A	P06-2130	ROUND END CAP	圓管內塞
81	2		P08-0175	BUSHING	含油軸承
82	1	5223801-B	P04-2813	PLATE, LIMIT	限位片組

83	1	5251801-A	P04-2884	SLC TOWER	主架固定管
84	3	5203801-A	A06-0231	BELT PULLEY	平皮帶滑輪
85	4	5213001-A	P06-2143	CUSHION, SHROUD HOLDER	緩衝墊
86	2	5293901-B	P06-2254	FOOT, TOWER	腳墊
87	6	5248501-A	P08-0121	SPACER, FLNG 16.2 X 10.1 X 6	T帽套管
88	8			AVK INSERT	拉帽
89	8			WASHER, FLAT 12 X 5.2 X1.0T	平面華司12X5.2X1.0T
90	1	5255701-A	P04-2892	LEG PIVOT WELDMENT	泡棉管焊接件
91	1	5257401-A	P06-2220	RUBBER SLEEVE	橡膠套管
92	1		P06-0279	ROUND END CAP	圓管內塞
93	1			BOLT, 3/8-16 X 4-1/4" (108mm) SOCKET HEAD W/NP	六角承窩螺絲 3/8" x 4 1/4"L 點耐落
94	1	5267201-A	P04-2902	SEAT HANDLE	把手管
95	2	5096601-B	P05-0996	ALUMINUM CAP	鋁蓋
96	2	5096301-B	P05-0997	COLLAR	鋁環
97	2	5208801-A	P06-2216	HAND GRIP	把手套
98	8			SET SCREW M4x3mmL	止付螺絲
99	1	52180PA-C	P10-0780	7.5LB INC. WEIGHT	配重塊
100	1	5218101-A	P05-0991	PIN, 7.5LB INC. WEIGHT	插鞘桿
101	1	P46609-101	A05-1079	SPRING	壓縮彈簧
102	1	5244901-C	P06-2132	KNOB, 7.5LB INC. WEIGHT	插銷頭
103	1	52102PA-B	P10-0777	15LB HEAD PLATE	上片組
104	1	5210901-A	P10-0781	SELECTOR STEM	選擇桿
105	1	5303701-A	P02-4395	LANYARD CLIP	卡片
106	1	5211301-A	P03-1946	BELT CLAMP	鐵心
107	1		P05-0187	CLEVIS PIN	彈簧鞘
108	1	5211201-B	P06-2134	BELT CLAMP HOUSING	塑膠塊
109	2	5218401-B	P06-2145	BUMPER	橡膠墊
110	1	5245301	P11-0183	WEIGHT STACK SELECTOR PIN	選擇桿插鞘組
111	1	5243801-C	P06-2152	TOWER CAP	塑膠蓋
112	1		P10-0098	BADGE	銘牌
113	1	5223101-A	P07-0429	BACK PAD	背墊
114	1	5223201-B	P06-2159	COVER, BACK PAD	背墊護蓋
115	4			SCREW, ROUND HEAD PHILLIP SELF TAPPING M4X20L	圓頭十字自攻螺絲
116	1	5256701-A	P04-2894	BACK PAD ADJUSTMENT	背墊固定管
117	2		A06-0529	FLATOVAL END CAP	橢圓管塞
118	1		P06-0349	Round End Cap	圓管內塞
119	2			BOLT, 3/8-16 X 3-1/2" (89mm) SOCKET HEAD	六角承窩螺絲 3/8"x 3-1/2"L
120	1	5263601-A	P11-0187	ADJUSTMENT PIN	調整彈簧插鞘組
121	1	5256001-A	P04-2893	SLC KNEE HOLD DOWN	泡棉管組

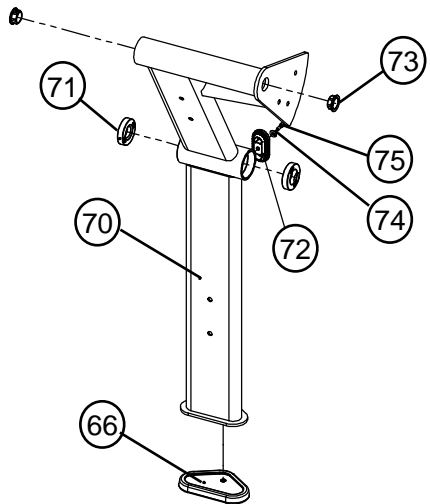




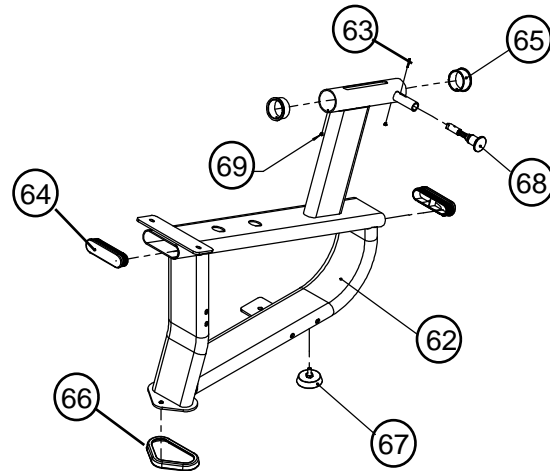
#11 P/N 53502PA PTD ASSY, SLC MAIN UPRIGHT



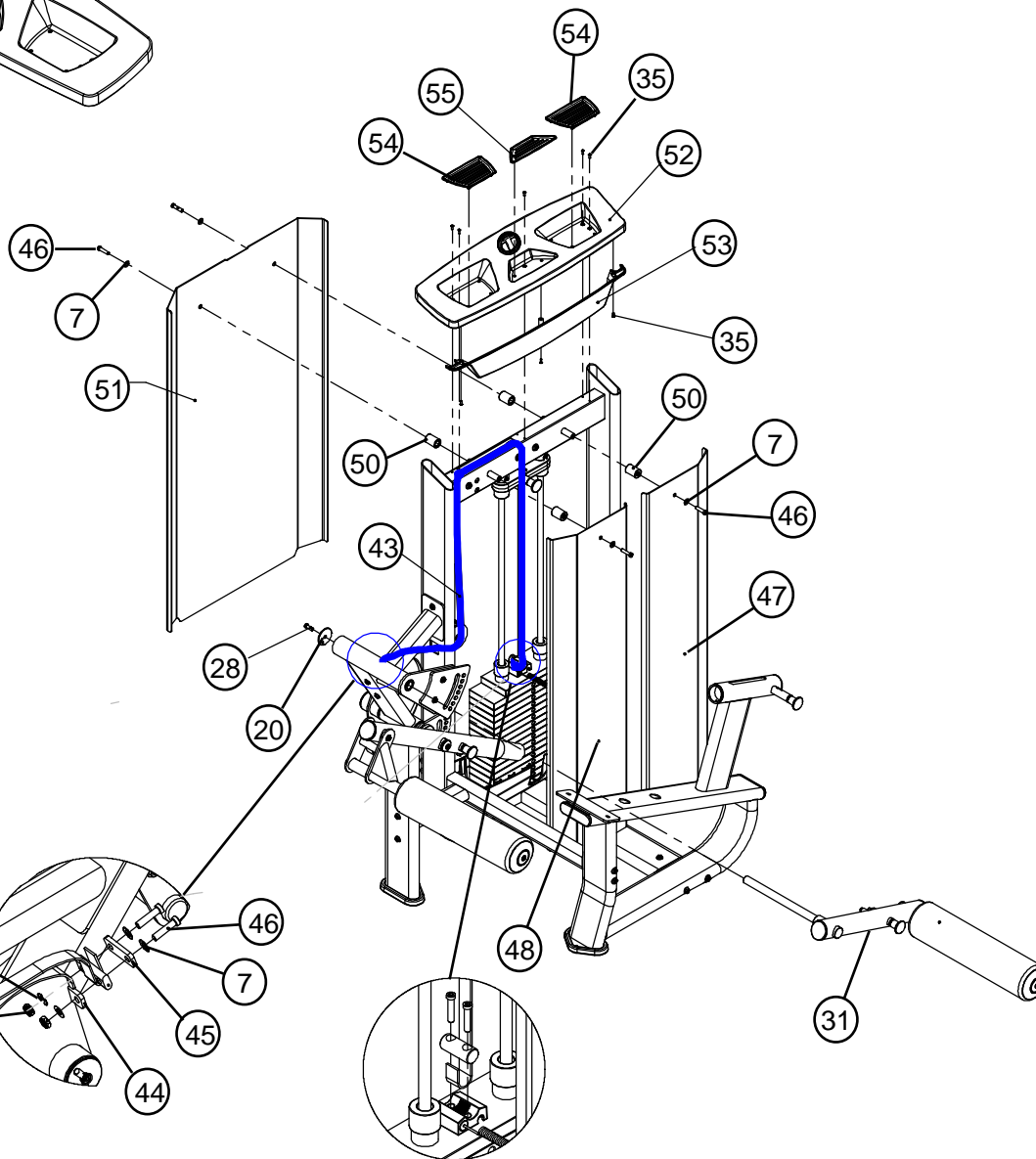
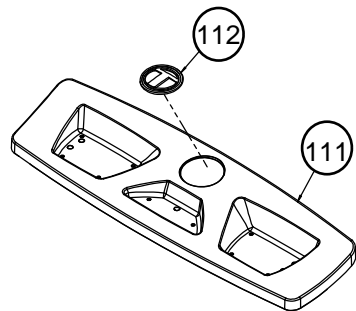
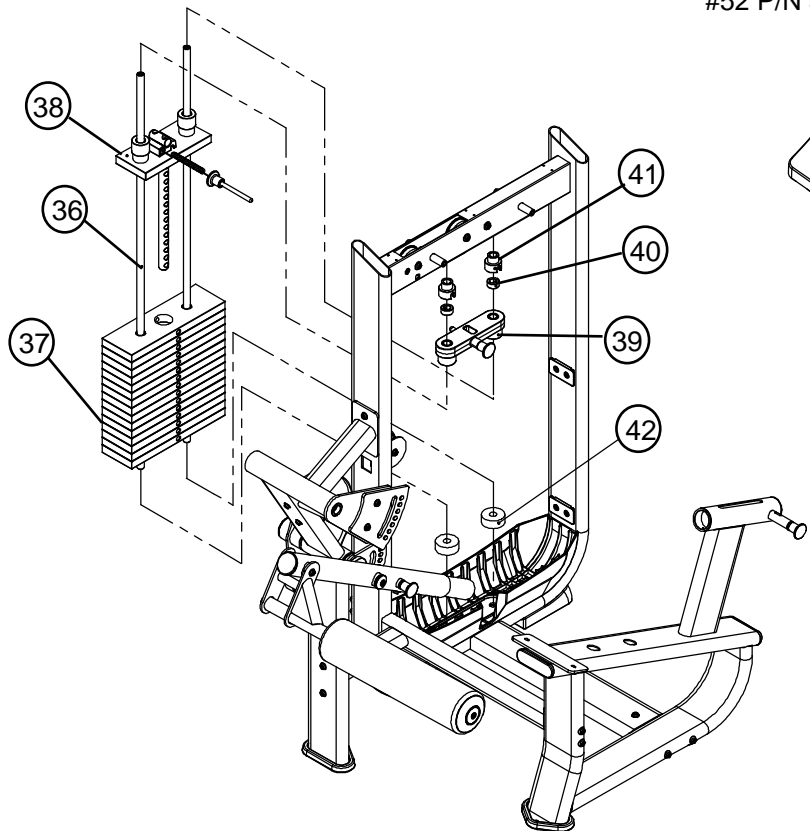
#3 P/N 52522PA-A PTD ASSY, SLC FRAME



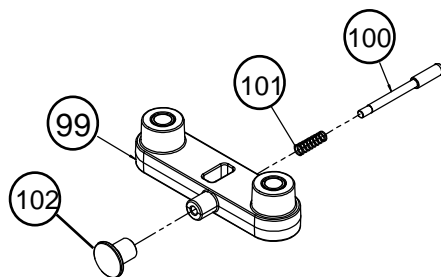
#23 P/N 53573PA PTD ASSY, SLC PIVOT ARM

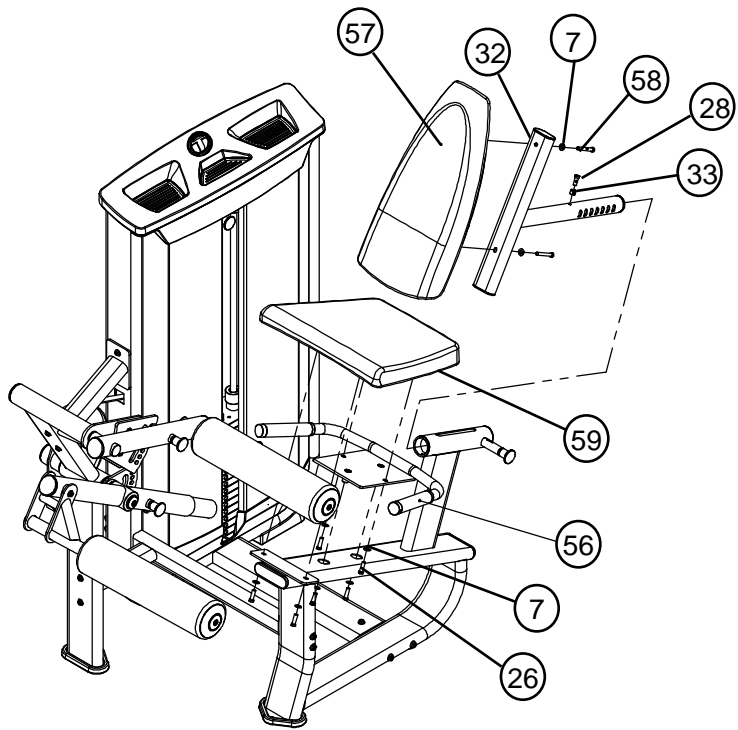


#52 P/N 5294601-A ASSY, TOWER CAP

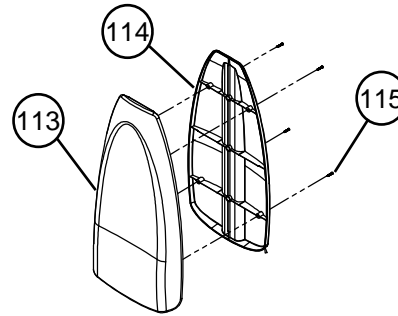


#39 P/N 5218201-D ASSY, 7.5LB INC. WEIGHT

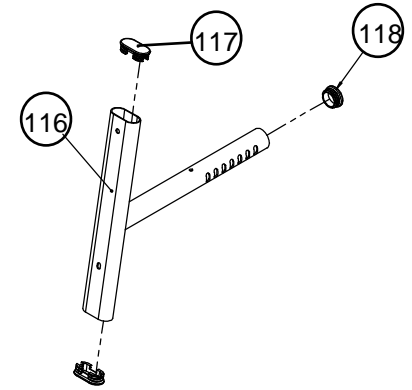




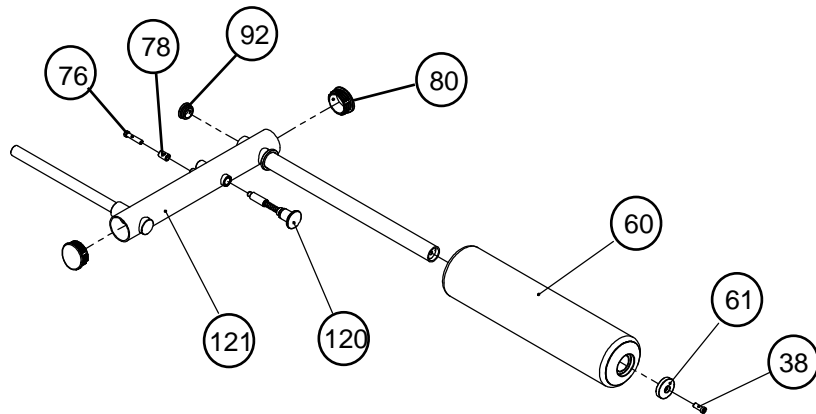
#57 P/N 5223001-B  
ASSY, BACK PAD W/ VINYL & COVER



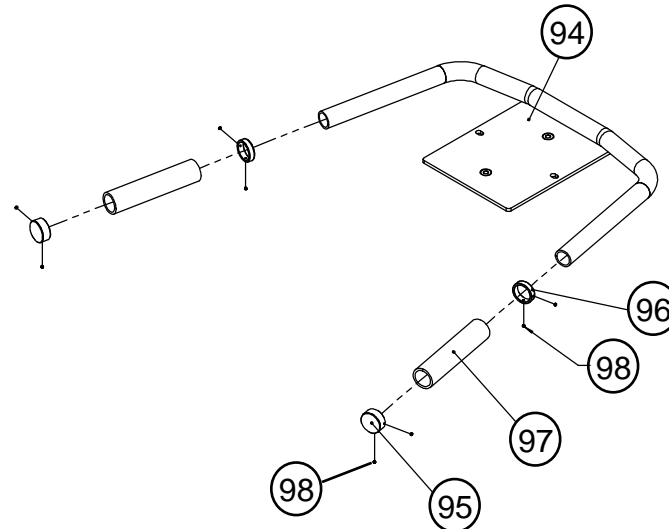
#32 P/N 52567PA-A  
PTD ASSY, BACK PAD ADJ



#31 P/N 52560PA-B PTD ASSY, SLC KNEE HOLD DOWN

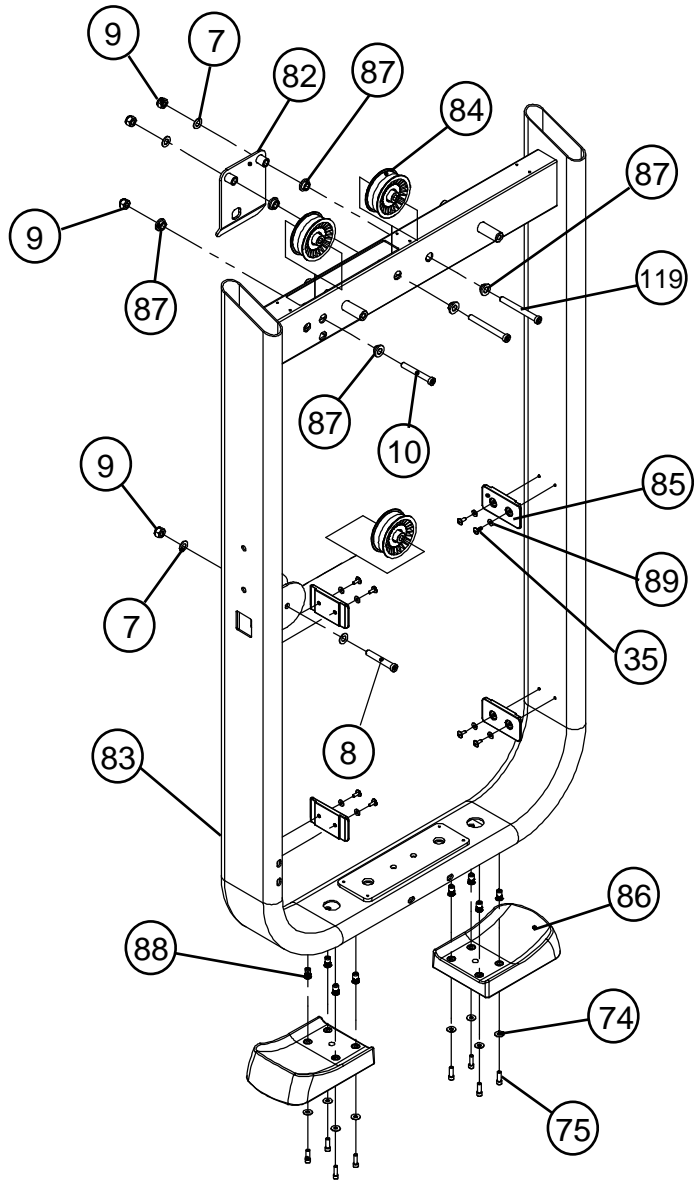


#56 P/N 52672PA-C PTD ASSY, HANDLE

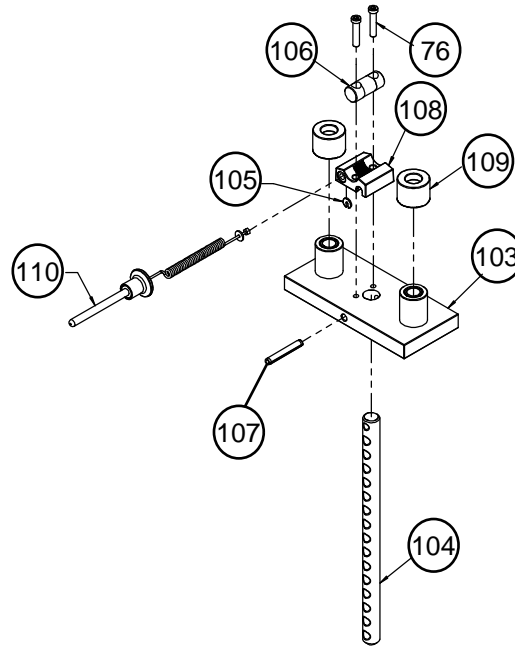




#1 P/N 52518PA-C PTD ASSY, SLC TOWER



#38 P/N 5250201-C  
ASSY, 15 PLATE HEAD PLATE



#25 P/N 52557PA-B PTD ASSY, LEG PIVOT

