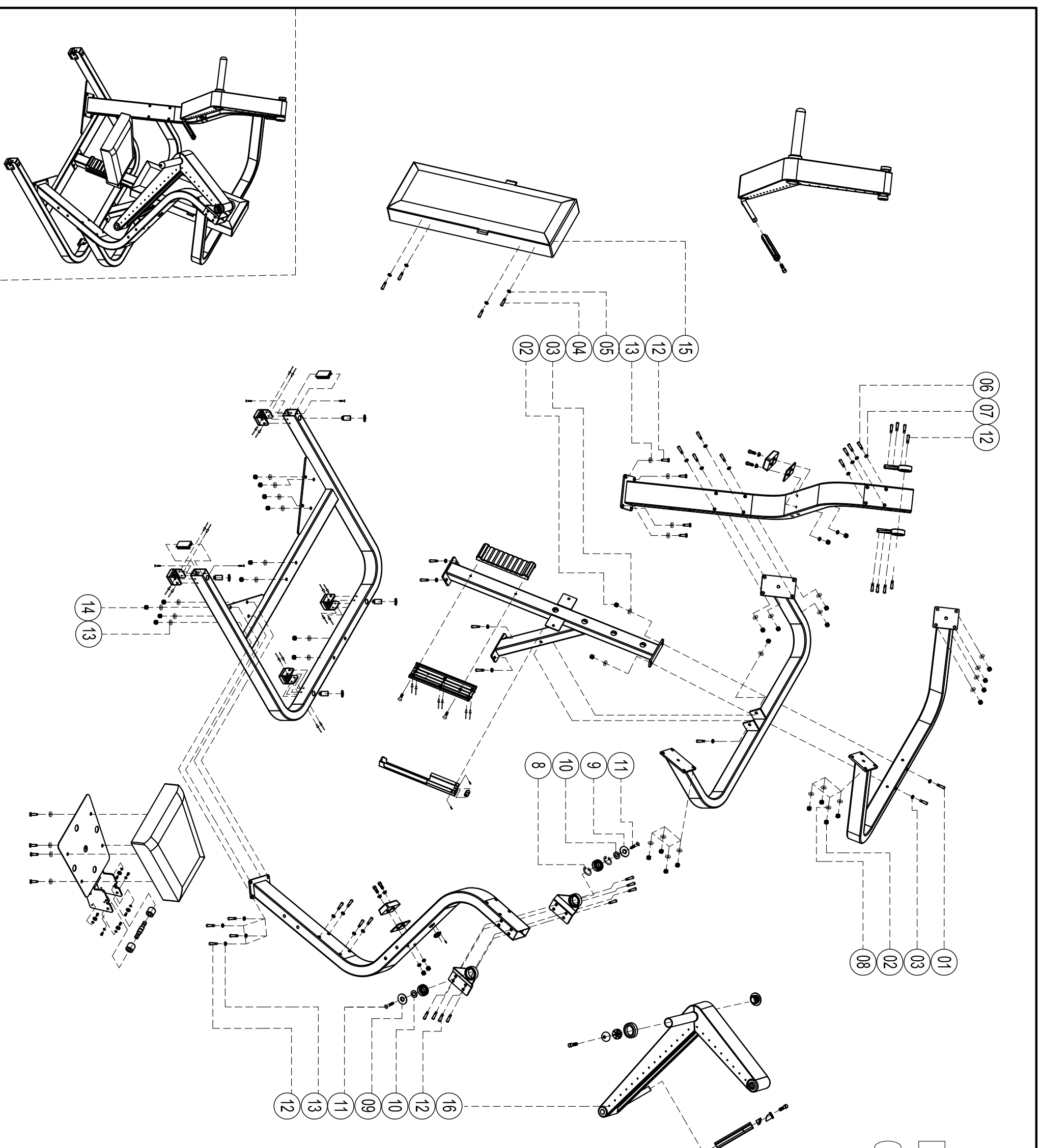


# DHZ-910 Olympic Decline Bench

please note: parts didnt demitioned part and fasteners not listed on the introduction



NO.	Name	Quantity
01	Hex screw M12*110	5
02	Hex nut (self-locking)M12	21
03	Flat washer T1.5*φ12*φ20	10
04	Flat washer φ10	8
05	Hex screw M10*20	8
06	Hex screw M12*85	16
07	Flat washer T1.5*φ12*φ20	32
08	Circlip φ52	4
09	Large gasket C068φ50*T2.5	4
10	Small gasket C088φ33*T2.5	4
11	Countersunk head inner hex screw M10*20	4
12	Hex screw M12*30	24
13	Flat washer φ12*T2	32
14	Hex nut(self-locking) M12	8
15	Back cushion	1
16	Movable arm group	2