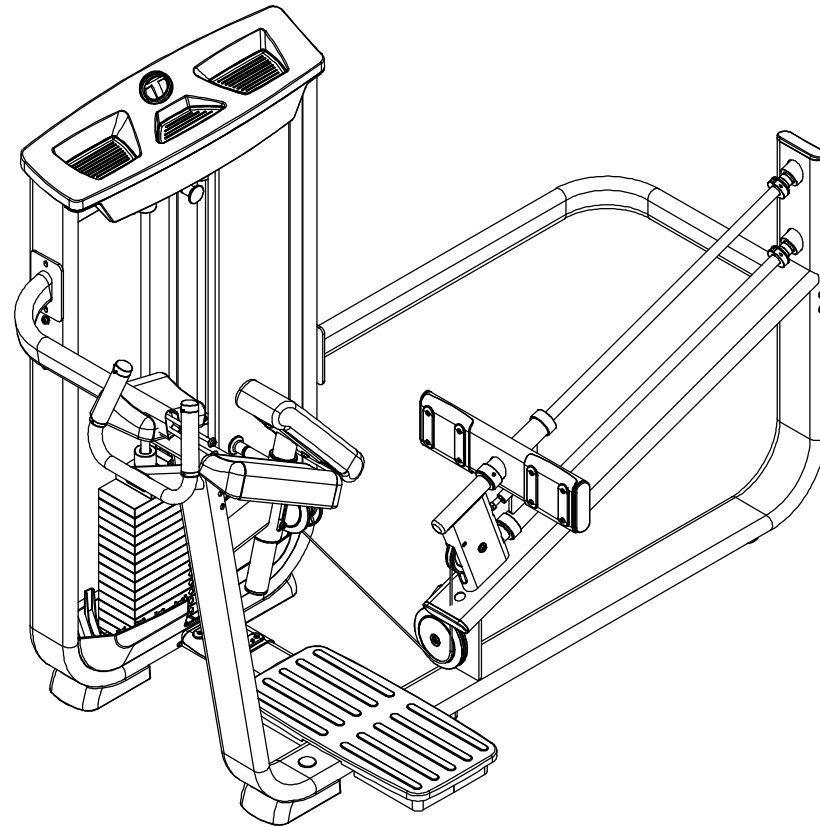


GLUTE

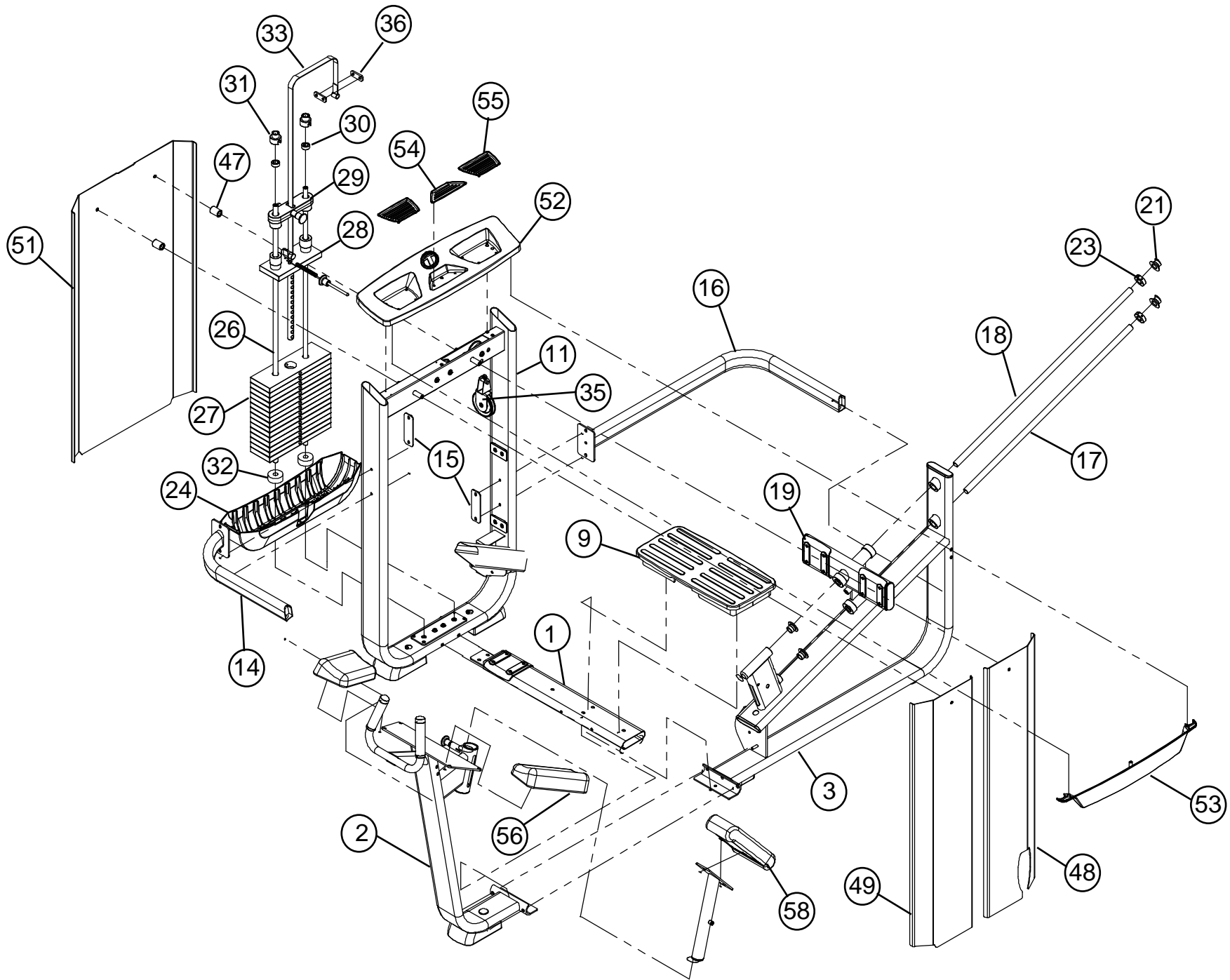


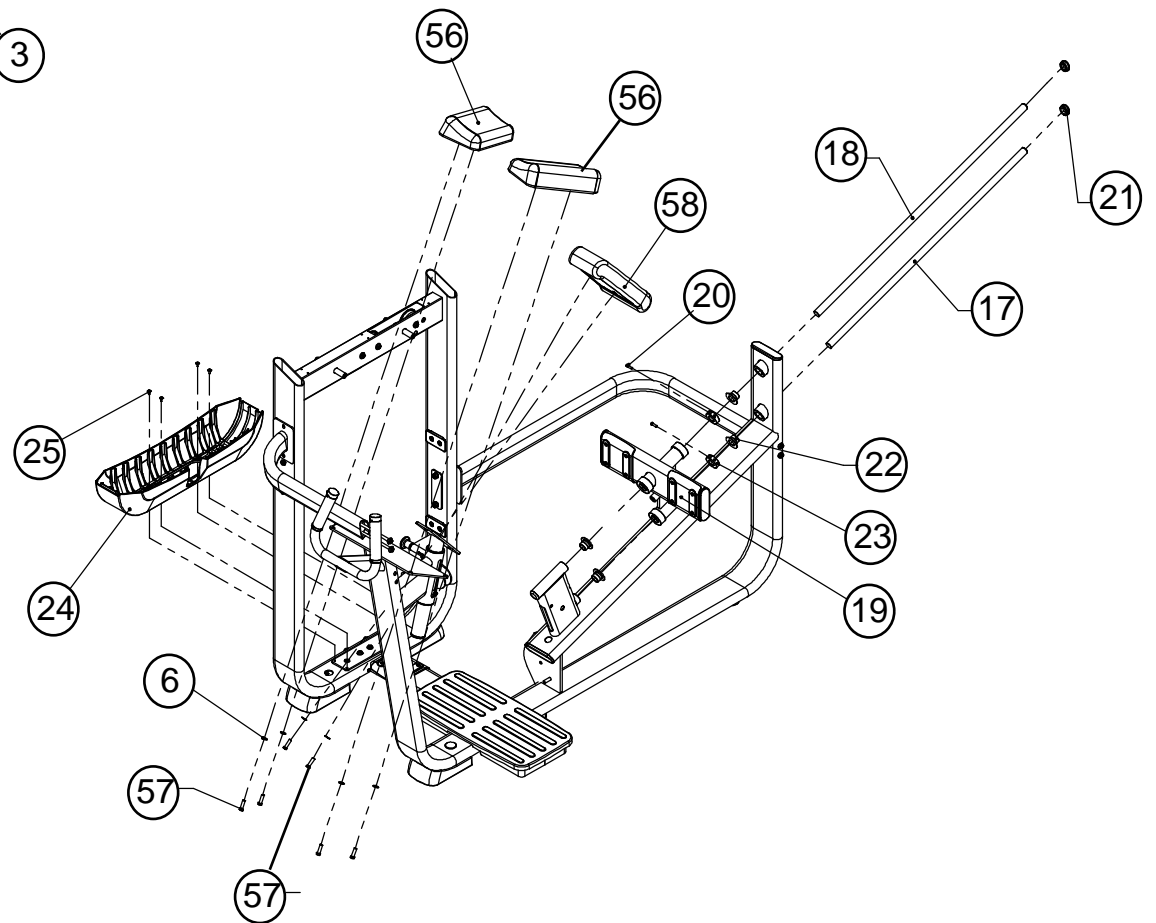
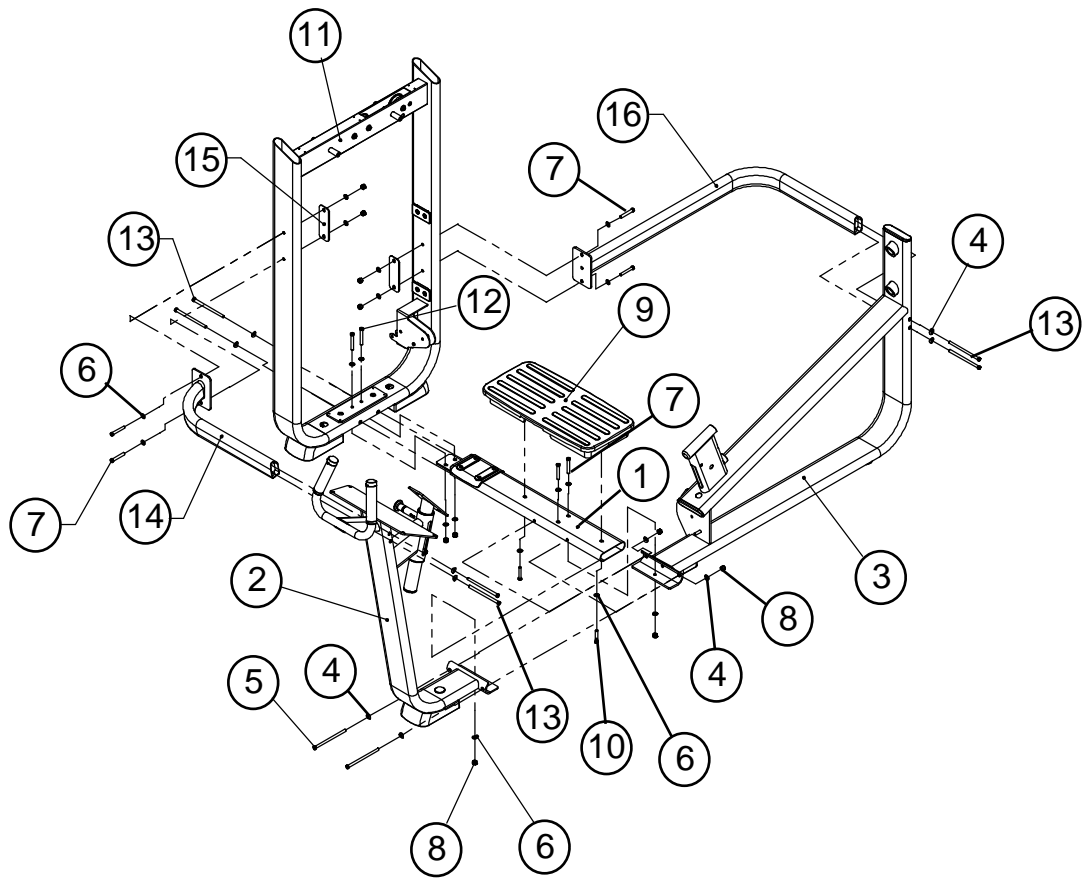
PARTS LIST

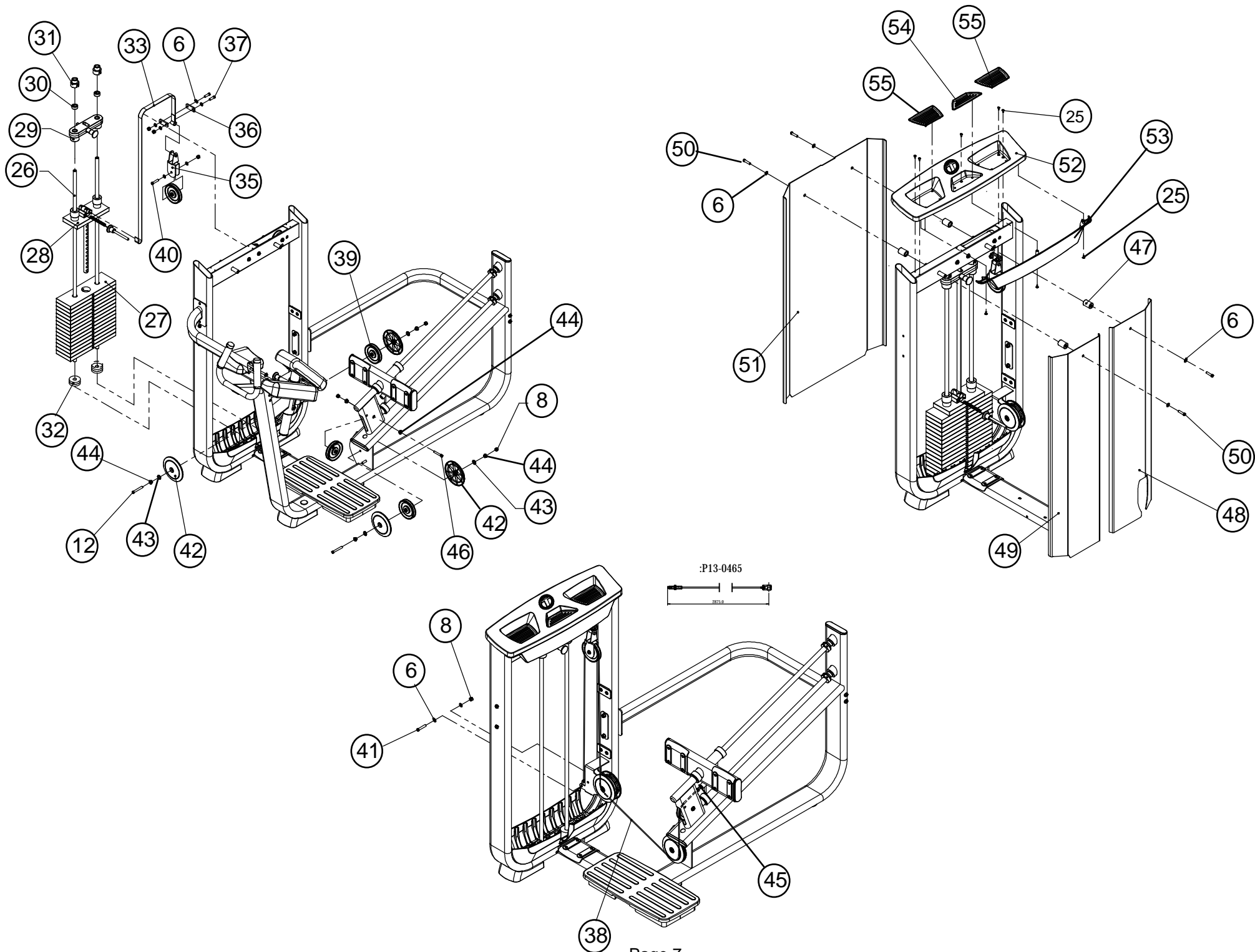
ITEM	QTY	PART NO	Paraong P/N	DESCRIPTION	Chinese Description
1	1	54252PA	P20-4311	PTD ASSY, G BASE CONNECTOR	底管組
2	1	54259PA	P20-4301	PTD ASSY, G FRONT UPRIGHT with Pad Adjustment	扶手管組+調整管組
3	1	54266PA	P20-4302	PTD ASSY, G MAIN FRAME	固定管組
4	10	2003001		WASHER, 3/8" SAE CURVED	弧形華司 22x10x1.5t
5	2	2005425		BOLT, 3/8-16 X 6-1/2" (165mm) SOCKET HEAD	六角承窩螺絲 3/8" x 6 1/2"L
6	38	2001101		WASHER, FLAT 3/8 SAE ST ZN	平面華司 20 x 10.5 x 1.0t
7	6	2005409		BOLT, 3/8-16 X 2-1/2" (64mm) SOCKET HEAD	六角承窩螺絲 3/8" x 2 1/2"L
8	20	2001201		NUT, 3/8-16 LK ST ZN	尼龍螺帽 3/8"x11t
9	1	54255PA	P20-4298	PTD ASSY, G FOOT PLATFORM	腳踏板組
10	2	2006407		BOLT, 3/8-16 X 2" (51mm) SOCKET HEAD W/NP	六角承窩螺絲 3/8" x 2"L 點耐落
11	1	54250PA	P20-4297	PTD ASSY, G TOWER	主架固定管組
12	4	2005410		BOLT, 3/8-16 X 2-3/4" (70mm) SOCKET HEAD	六角承窩螺絲 3/8" x 2 3/4"L
13	6	2006424		BOLT, 3/8-16 X 6-1/4" (159mm) SOCKET HEAD W/NP	六角承窩螺絲 3/8" x 6 1/4"L 點耐落
14	1	5427301	P04-3826	WLDMT, G FRONT CONNECTOR	連接管組
15	2	5221401-A	P02-4251	PLATE, 50 X 155 X 4MM	固定片
16	1	5427501	P04-3825	WLDMT, G REAR CONNECTOR	連接管組
17	1	5427901	P03-2724	GUIDE ROD, G LOWER	軸承鋼
18	1	5428001	P03-2723	GUIDE ROD, G UPPER	軸承鋼
19	1	54281PA	P20-4303	PTD ASSY, G FOOT CARRIAGE	腳踏管組
20	14	2006503		BOLT, 1/4-20 X 3/4" (19mm) SOCKET HEAD W/NP	六角承窩螺絲 1/4" x 3/4"L 點耐落
21	3	5249001	P06-0134	CAP, HOLE	扣塞
22	2	5435901	P06-2989	BUSHING, GUIDE ROD 51 OD X 25.6 ID X 25	塑膠套管
23	2	5331601-A	P05-0248	COLLAR, 25 ID SPLIT SHAFT	固定軸套
24	1	5212601	P06-2151	COVER, TOWER BASE	塑膠底座
25	32	2004802		SCREW, 10-32 X 1/2" (12MM) PAN HEAD W/NP	大扁頭十字螺絲 #10-32 X 1/2"L 點耐落
26	2	5209701	P01-3735	GUIDE ROD, 19 DIA X 1315	升降桿
27	15	52101PA	P10-0778	PTD ASSY, 15 LB WEIGHT PLATE	15磅選擇片
28	1	5250201-C	P20-2989	ASSY, 15 PLATE HEAD PLATE	上片組
29	1	5218201-D	P20-2988	ASSY, 7.5LB INC. WEIGHT	配重塊組
30	2	5095301	A05-0212	SHAFT COLLAR, GUIDE ROD	固定軸套組
31	2	5209801	P06-2144	BUSHING, GUIDE ROD RETAINER	升降桿護套
32	2	5098201	P06-0034	CUSHION, WEIGHT STACK	橡膠墊
33	1	5429401	P17-0022	BELT, G TOWER	皮帶
34	1	5297701		LABEL, WEIGHT STACK 15LBS	磅數表
35	1	5429501	P04-3828	WLDMT, BELT TO CABLE CONNECTOR	滑輪固定片組
36	2	5208201-A	P02-4266	PLATE, BELT CLAMP	固定片
37	2	2005404		BOLT, 3/8-16 X 1-1/4" (32mm) SOCKET HEAD	六角承窩螺絲 3/8" x 1 1/4"L
38	1	5428901	P13-0465	CABLE ASSY, G	連接鋼索
39	4	5094501	P06-0961	PULLEY, 4-1/2 OD X 25	大滑輪

40	1	2005406		BOLT, 3/8-16 X 1-3/4" (45mm) SOCKET HEAD	六角承窩螺絲 3/8" x 1 3/4"L
41	1	2005407		BOLT, 3/8-16 X 2" (51mm) SOCKET HEAD	六角承窩螺絲 3/8" x 2"L
42	4	5214601-C	P06-2135	COVER, PULLEY 152MM DIA	護蓋
43	4	5217601-A	P06-2208	WASHER, RUBBER 19 ID X 25 OD X 3	墊片
44	6	5216301-A	P08-0165	SPACER, FLNG 16.2 X 10.2 X 7.5	T帽套管
45	1	2005701		NUT, M12 JAM ST ZN	
46	1	2005408		BOLT, 3/8-16 X 2-1/4" (57mm) SOCKET HEAD	六角承窩螺絲 3/8" x 2 1/4"L
47	4	5213201	P06-2146	MOUNT, 19MM ID STANDOFF	橡膠套
48	1	5212801-C	P10-0784	SHROUD, TOWER FRONT - RH	前護網右
49	1	5212901-B	P10-0785	SHROUD, TOWER FRONT - LH	前護網左
50	4	2005405		BOLT, 3/8-16 X 1-1/2" (38mm) SOCKET HEAD	六角承窩螺絲 3/8" x 1 1/2"L
51	1	5297001	P10-0783	ASSY, REAR SHROUD	后護網
52	1	5294601	P20-2990	ASSY, TOWER CAP	塑膠蓋組
53	1	5429201		ASSY, G PLACARD	橡膠蓋組含運動看板
54	1	5244101	P06-2156	TRAY, TOWER CAP - SMALL	橡膠墊
55	2	5244001	P06-2155	TRAY, TOWER CAP - LARGE	橡膠墊
56	2	5308601	P07-0450	PAD, ARM	肘墊
57	6	2006404		BOLT, 3/8-16 X 1-1/4" (32mm) SOCKET HEAD W/NP	六角承窩螺絲 3/8" x 1 1/4"L 點耐落
58	1	5451801	P07-0583	PAD, 8 X 14 TAPERED & WRAPPED	胸墊
59	1	5425201	P04-3821	G Base Connector Weldment	底管焊接組
60	2	5438901	P06-2987	PLASTIC TREAD	腳墊
61	1			BOLT, 3/8-16 X 1" (25mm) SOCKET HEAD W/NP	六角承窩螺絲 3/8" x 1"L 點耐落
62	1	5234801-A	P03-2019	Sleeve	套管
63	1		P20-4299	Pad Adjustment	調整管組
64	1	5427701	P04-3823	Pad Adjustment Weldment	調整管焊接組
65	1		P06-0349	Round End Cap	圓管內塞
66	1	5426601	P04-3824	G Main Frame Weldment	固定管焊接組
67	1	5213101-B	P06-2147	Main Frame Foot Pad	腳墊
68	1	5294101-A	P06-2256	Main Frame Leveler	腳墊
69	4	5205401-A	P06-2129	END CAP, FLATOVAL	橢圓管塞
70	1	5425501	P04-3820	G Foot Platform Weldment	腳踏板焊接件
71	1	5317801	P06-2288	G Foot Platform Foot Pad	腳墊
72	8			WASHER, FLAT 12mm X 5.2mm SAE ST ZN	平面華司 12x5.2
73	12			WASHER, FLAT 16mm X 6.5mm SAE ST ZN	平面華司 16x6.5
74	2			BOLT, 3/8-16 X 3-1/2" (76mm) SOCKET HEAD	六角承窩螺絲 3/8" x 3 1/2"L
75	2	5203801-A	A06-0231	BELT, PULLEY	平皮帶滑輪
76	1	5223801-B	P04-2813	PLATE, LIMIT	限位片組
77	1	5425001	P04-3819	G Tower Weldment	主架固定管焊接件
78	4	5213001-A	P06-2143	CUSHION, SHROUD HOLDER	緩衝墊
79	3	5293901-B	P06-2254	FOOT, TOWER	腳墊
80	6	5248501-A	P08-0121	SPACER, FLNG 16.2 X 10.1 X 6	T帽套管

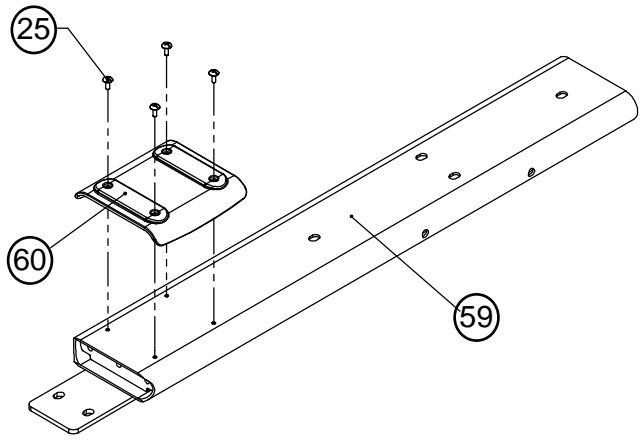
81	1	5428201-B	P04-3827	G Foot Carriage Weldment	腳踏管焊接件
82	4	5439101	P06-2988	CUSHION	緩衝墊
83	4			Internal Snap Ring	RTW-40 C 型扣
84	3			Linear Bearing	線徑軸承
85	1		P20-4300	PTD ASSY, G FRONT UPRIGHT	扶手管組
86	2			SCREW, 10-32 X 5MML PAN HEAD W/NP	大扁頭十字螺絲 #10-32 X 5mmL 點耐落
87	8			AVK Insert	拉帽
88	8			Set Screw M4 x 3mmL	止付螺絲
89	1		P04-3822	G FRONT UPRIGHT WELDMENT	扶手管焊接件
90	1	20059-A	P05-0998	CLEVIS PIN	開口銷
91	2	5096601-B	P05-0996	ALUMINUM CAP	鋁蓋
92	2	5096301-B	P05-0997	ALUMINUM COLLAR	鋁環
93	2	5234301-B	P06-2131	SLEEVE	中管塞
94	2	5217801-A	P06-2215	HAND GRIP	把手套
95	1	5280401-A	P11-0190	Adjustment Pin	調整彈簧插鞘組
96	1	5243801-C	P06-2152	TOWER CAP	塑膠蓋
97	1		P10-0098	BADGE	銘牌
98	1	52180PA-C	P10-0780	7.5LB INC. WEIGHT	配重塊
99	1	5218101-A	P05-0991	PIN, 7.5LB INC. WEIGHT	插鞘桿
100	1	P46609-101	A05-1079	SPRING	壓縮彈簧
101	1	5244901-C	P06-2132	KNOB, 7.5LB INC. WEIGHT	插鞘頭
102	1	52102PA-B	P10-0777	15LB HEAD PLATE	上片
103	1	5210901-A	P10-0781	SELECTOR STEM	選擇桿
104	1	5303701-A	P02-4395	LANYARD CLIP	卡片
105	1	5211301-A	P03-1946	BELT CLAMP	鐵心
106	1		P05-0187	CLEVIS PIN	彈簧鞘
107	1	5211201-B	P06-2134	BELT CLAMP HOUSING	塑膠塊
108	2	5218401-B	P06-2145	BUMPER	橡膠墊
109	1	5245301	P11-0183	WEIGHT STACK SELECTOR PIN	選擇桿插鞘組
110	2			BOLT, 3/8-16 X 1-3/4" (45mm) SOCKET HEAD W/NP	六角承窩螺絲 3/8"x 1 3/4"L 點耐落
111	4			Rivet	拉釘



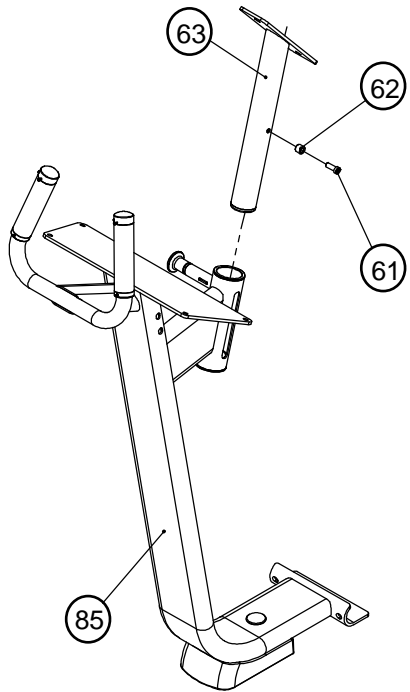




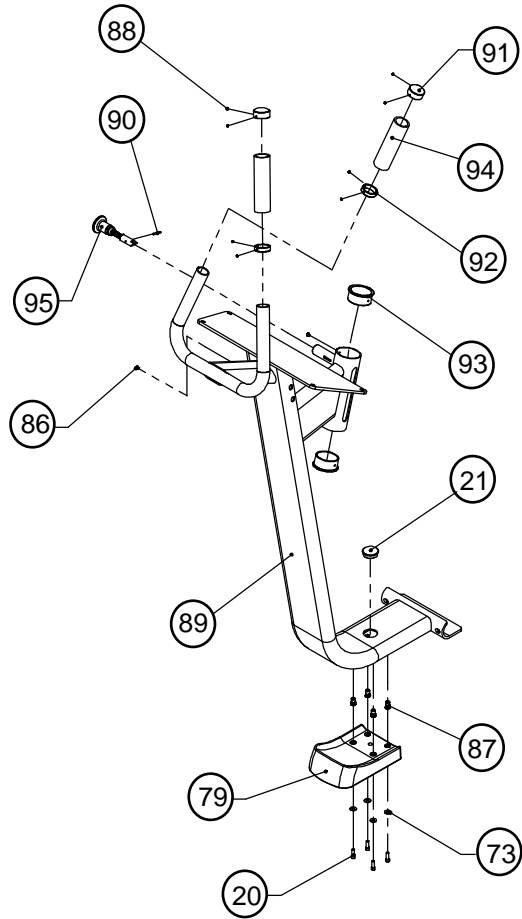
#1 P/N 54252PA PTD ASSY, G BASE CONNECTOR



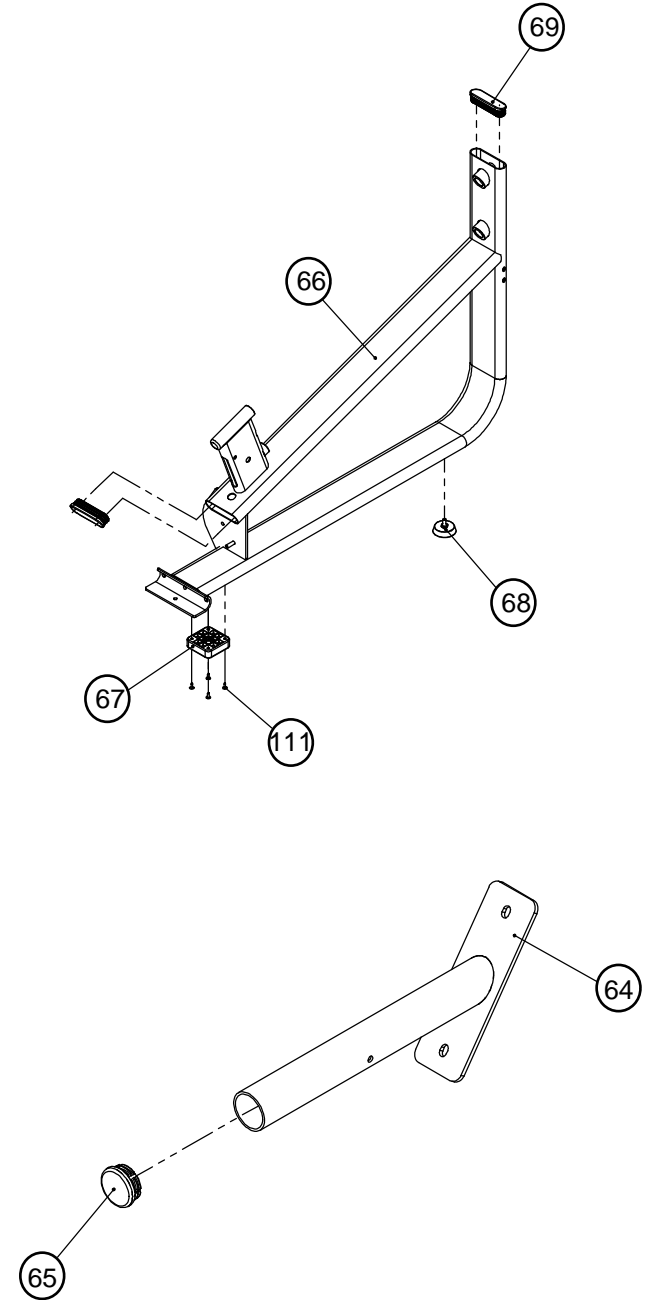
#2 P/N 54529PA PTD ASSY, G FRONT UPRIGHT WITH PAD ADJUSTMENT



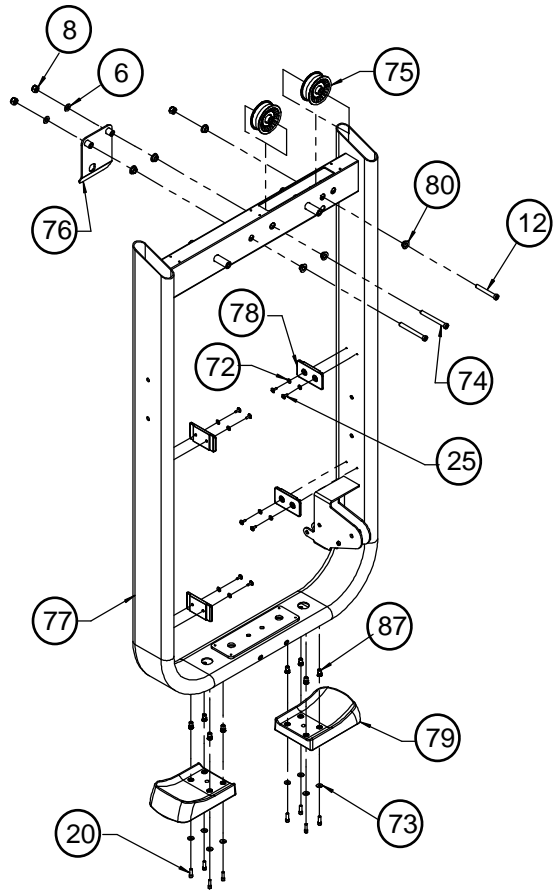
#85 P/N P20-4300 PTD ASSY, G FRONT UPRIGHT



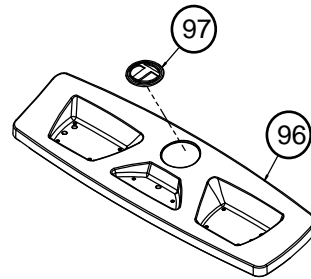
#3 P/N 54266PA PTD ASSY, G MAIN FRAME



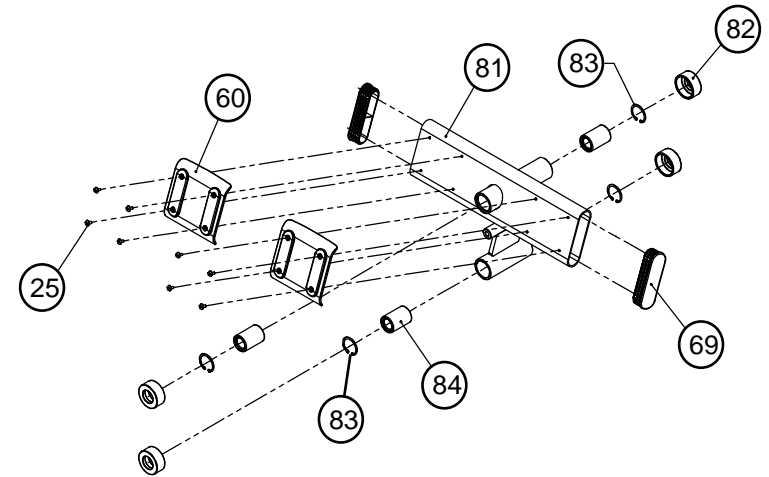
#11 P/N 54250PA PTD ASSY, G TOWER



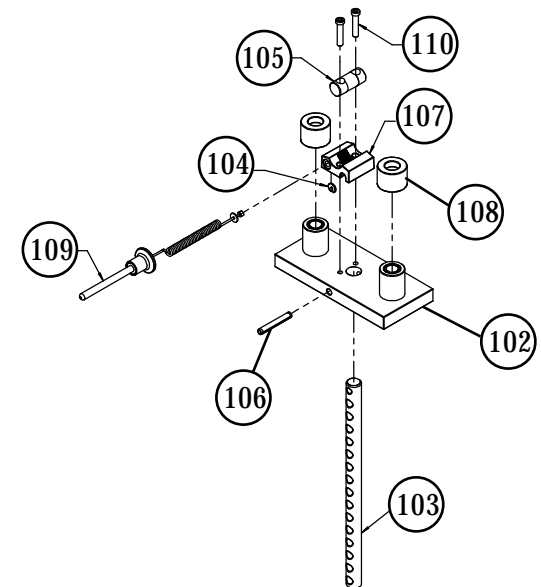
#52 P/N 5294601 ASSY, TOWER CAP



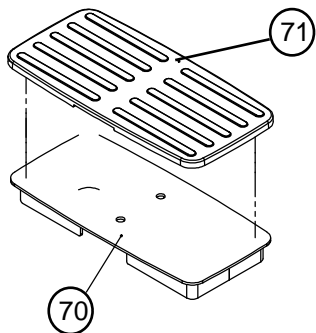
#19 P/N 54281PA PTD ASSY, G FOOT CARRIAGE



#28 P/N 5250201-C ASSY, 15LB HEAD PLATE



#9 P/N 54255PA PTD ASSY, G FOOT PLATFORM



#29 P/N 5218201-D ASSY, 7.5LB INC. WEIGHT

