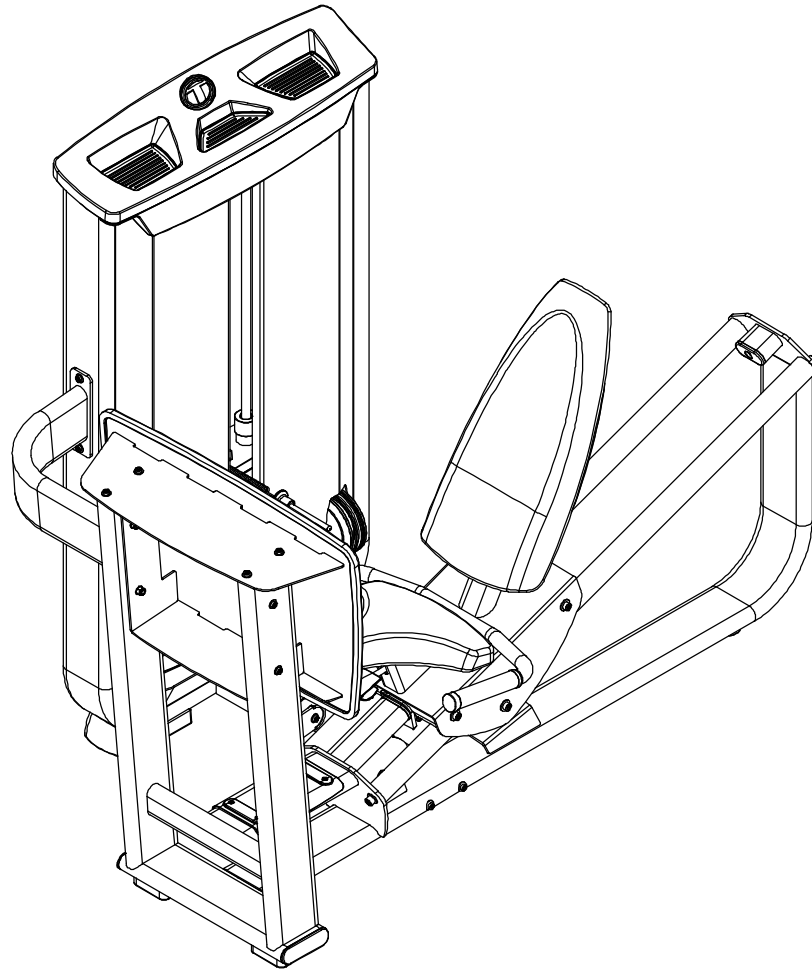


# ***LEG PRESS***

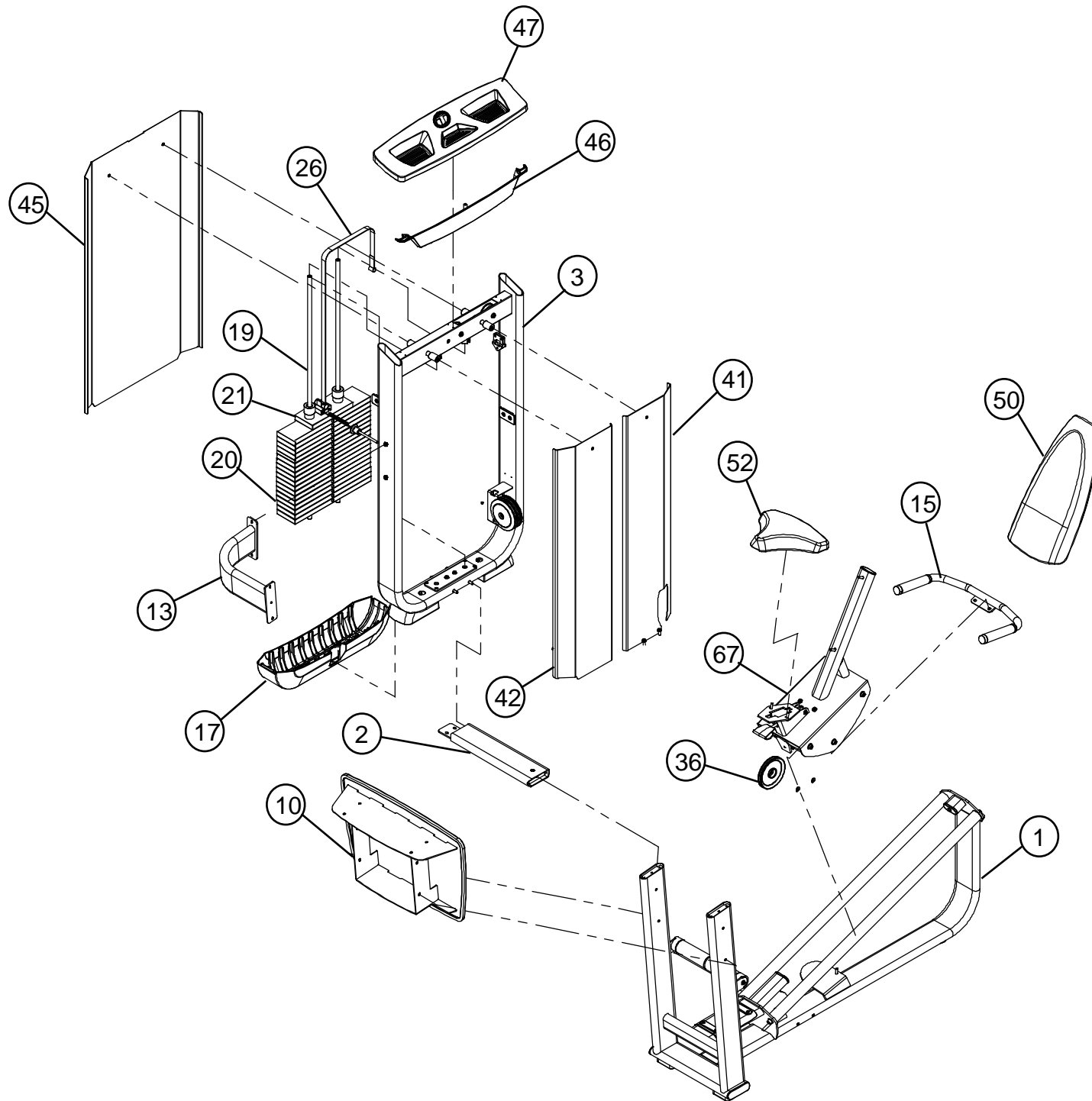


# PARTS LIST

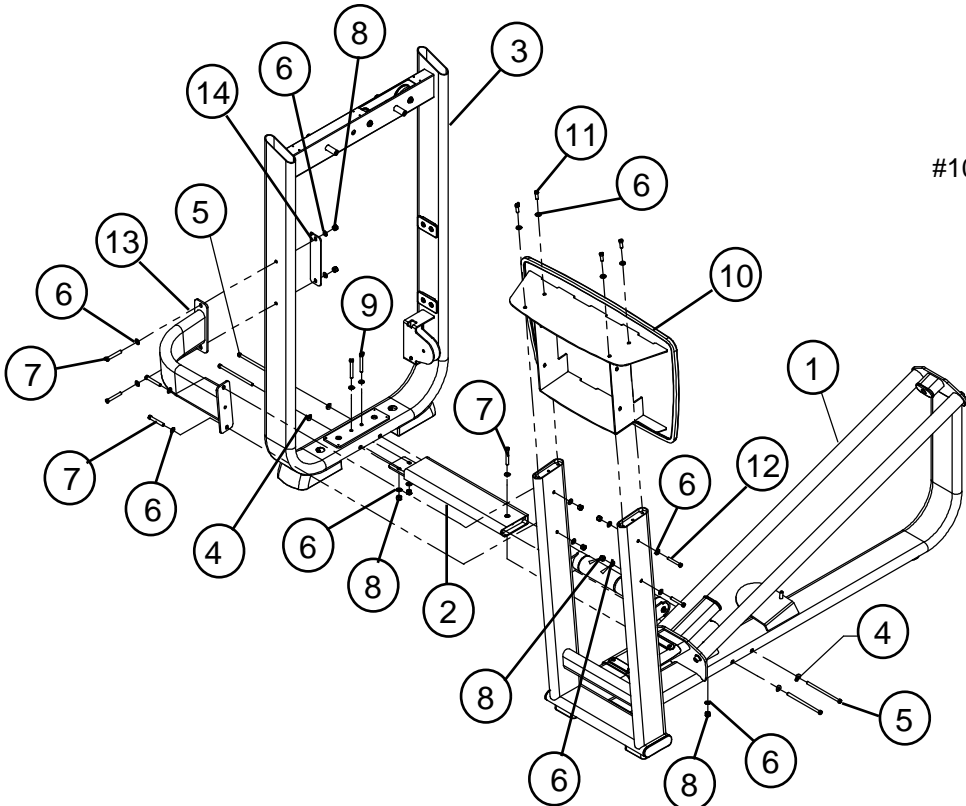
ITEM	QTY	PART NO	Paraong P/N	DESCRIPTION	Chinese Description
1	1	52575PA-B	P20-3031	PTD ASSY, LP MAIN FRAME	固定立管組
2	1	52282PA-A	P04-2865	PTD ASSY, TP-LP BASE CONNECTOR	連接管組
3	1	52600PA-B	P20-3030	ASSY, LP TOWER	主架固定管組
4	4	2003001		WASHER, 3/8" SAE CURVED	弧形華司
5	4	2006424		BOLT, 3/8-16 X 6-1/4" (159mm) SOCKET HEAD W/NP	六角承窩螺絲 3/8"x 6-1/4"L 點耐落
6	43	2001101		WASHER, FLAT 3/8 SAE ST ZN	平面華司20X10.5X1.0T
7	5	2005409		BOLT, 3/8-16 X 2-1/2" (64mm) SOCKET HEAD	六角承窩螺絲 3/8x 2-1/2"L
8	16	2001201		NUT, 3/8-16 LK ST ZN	尼龍螺帽3/8"-16x11T
9	3	2005410		BOLT, 3/8-16 X 2-3/4" (70mm) SOCKET HEAD	六角承窩螺絲 3/8x 2-3/4"L
10	1	52589PA-A	P20-3032	PTD ASSY, LP FOOT PLATE	腳踏板組
11	4	2006403		BOLT, 3/8-16 X 1" (25mm) SOCKET HEAD W/NP	六角承窩螺絲 3/8"x 1"L 點耐落
12	3	2005408		BOLT, 3/8-16 X 2-1/4" (57mm) SOCKET HEAD	六角承窩螺絲 3/8"x 2-1/4"L
13	1	5259701-A	P04-2871	WLDMT, LP FRONT CROSS BRACE	連接管組
14	1	5259901-A	P02-4315	PLATE, 180MM HOLE PATTERN BACKER	固定片
15	1	52731PA-A	P20-3035	PTD ASSY, LP HANDLE	把手管組
16	2	2005403		BOLT, 3/8-16 X 1" (25mm) SOCKET HEAD	六角承窩螺絲 3/8"x 1"L
17	1	5212601-C	P06-2151	COVER, TOWER BASE	塑膠底座
18	12	2004802		SCREW, 10-32 X 1/2" (12MM) PAN HEAD W/NP	大扁頭十字螺絲#10-32x1/2"L 點耐落
19	2	5209701-A	P01-3735	GUIDE ROD, 19 DIA X 1315	升降桿
20	15	52465PA-B	P10-0779	PTD ASSY, 20 LB WEIGHT PLATE	20磅選擇片
21	1	5250201-C	P20-3480	ASSY, 15 PLATE HEAD PLATE	上片組
22	1	5218201-D		ASSY, 7.5LB INC. WEIGHT	
23	2	5098201	P06-0034	CUSHION, WEIGHT STACK	橡膠墊
24	2	5209801	P06-2144	BUSHING, GUIDE ROD RETAINER	升降桿護套
25	2	5095301	A05-0212	SHAFT COLLAR, GUIDE ROD	固定軸套組
26	1	5304101	P17-0016	BELT, LP TOWER	滑輪皮帶
27	2	5208201-A	P02-4266	PLATE, BELT CLAMP	固定片
28	1	5347301	P03-2178	SPACER, 16 OD X 10.1 ID X 30	套管
29	2	2005404		BOLT, 3/8-16 X 1-1/4" (32mm) SOCKET HEAD	六角承窩螺絲 3/8x 1-1/4"L
30	1	5304201	P13-0295	CABLE ASSY, LP	鋼索
31	1	5347101	P03-2177	HOUSING, CABLE SWIVEL END	套管
32	1	5297601-A	P05-1012	BEARING, CYLINDRICAL ROLLER 20 ID X 35 OD X 10	滾子軸承
33	1	5347201	P05-1053	END, CABLE SWIVEL	鋼索固定塊
34	2	2005407		BOLT, 3/8-16 X 2" (51mm) SOCKET HEAD	六角承窩螺絲 3/8x 2"L
35	1	2004301		NUT, 3/8-16 LH LK ST ZN	
36	3	5144501-A		PULLEY, 6" DIA.	
37	3	5214601-C	P06-2153	COVER, PULLEY 152MM DIA	塑膠蓋
38	1	5300001-A		LABEL, WEIGHT STACK 20LBS	磅數表
39	3	5217601-A	P06-2208	WASHER, RUBBER 19 ID X 25 OD X 3	墊片
40	3	5216301-A	P08-0165	SPACER, FLNG 16.2 X 10.2 X 7.5	T帽套管

41	1	5262601-B	P10-0809	SHROUD, LP TOWER FRONT - RH	右前護網
42	1	5212901-B	P10-0785	SHROUD, TOWER FRONT - LH	左前護網
43	4	5213201-B	P06-2146	MOUNT, 19MM ID STANDOFF	橡膠套
44	4	2005405		BOLT, 3/8-16 X 1-1/2" (38mm) SOCKET HEAD	六角承窩螺絲 3/8x 1-1/2"L
45	1	5297001-A	P10-0783	ASSY, REAR SHROUD	后護網
46	1	5296001-A		ASSY, LP PLACARD	塑膠蓋含運動看板
47	1	5294601-A	P20-2990	ASSY, TOWER CAP	塑膠蓋組
48	1	5244101-A	P06-2156	TRAY, TOWER CAP - SMALL	橡膠墊
49	2	5244001-A	P06-2155	TRAY, TOWER CAP - LARGE	橡膠墊
50	1	5223001-B	P20-3036	ASSY, BACK PAD W/VINLY & COVER	背墊組
51	2	2006410		BOLT, 3/8-16 X 2-3/4" (70mm) SOCKET HEAD W/NP	六角承窩螺絲 3/8x 2-3/4"L 點耐落
52	1	5246201	P07-0434	PAD, SMALL SEAT	座墊
53	4	2006404		BOLT, 3/8-16 X 1-1/4" (32mm) SOCKET HEAD W/NP	六角承窩螺絲 3/8x 1-1/4"L 點耐落
54	1	5257501-A	P04-2872	LP MAIN FRAME	固定立管
55	2	5205201-A	P06-2188	BUMPER	緩衝墊
56	1	5226901-A	P06-2136	TREAD COVER	腳墊
57	2	5205401-A	P06-2129	END CAP, FLATOVAL	橢圓管塞
58	2	5213101-B	P06-2147	Main Frame Foot Pad	腳墊
59	1	5294101-A	P06-2256	Main Frame Leveler	腳墊
60	2	5259401-A	P04-2873	SEAT CARRIAGE GUIDE	固定管
61	8			RIVET	拉釘
62	2			WASHER, FLAT 16 X 6.5 X 1.0T	平面華司16X6.5X1.0T
63	2	2006503		BOLT, 1/4-20 X 3/4" (19mm) SOCKET HEAD W/NP	六角承窩螺絲 1/4"x 3/4"L 點耐落
64	4			WASHER, FLAT 1/2 SAE ST ZN	平面華司 26X13X2.0T
65	4			BOLT, 1/2-13 X 1-1/2" (38mm) SOCKET HEAD W/NP	六角承窩螺絲 1/2"x 1-1/2"L 點耐落
66	1	5299401-B	P04-2917	FOOT REST	腳踏管組
67	1	52604PA-A	P20-3034	SEAT CARRIAGE ASSEMBLY	座背墊固定管組
68	1		P05-0011	SPRING	彈簧
69	1	5262001-A	P05-0990	PIN	插鞘桿
70	1		P05-0438	JAM NUT	調整螺帽
71	2	5206701-A	P02-4250	PLATE	固定片
72	2	20039-A	P05-0986	SHOULDER BOLT	限位螺絲
73	1	5218501-C	P06-2138	KNOB	手柄
74	1		P06-2200	SLEEVE	中管內塞
75	1	5261401-A	P04-2874	SEAT ADJUSTMENT	內調整管組
76	1		A06-0529	END CAP, FLATOVAL	橢圓管塞
77	1	5282501-A	P02-4321	STOP PLATE	固定片
78	1			BOLT, 3/8-16 X 3"L (76mm) SOCKET HEAD	六角承窩螺絲 3/8x 3"L
79	2			NUT, 1/4-20 X 8.0T, LK ST ZN	尼龍螺帽 1/4"-20x8.0T
80	4			NUT, 1/2-13 X 12T, LK ST ZN	尼龍螺帽 1/2"-13x12T
81	2			BOLT, 1/2-13 X 3 1/2"L (89mm) SOCKET HEAD	六角承窩螺絲 1/2 x 3 1/2"L
82	2			BOLT, 1/4-20 X 1" (25mm) SOCKET HEAD W/NP	六角承窩螺絲 1/4"x 1"L 點耐落

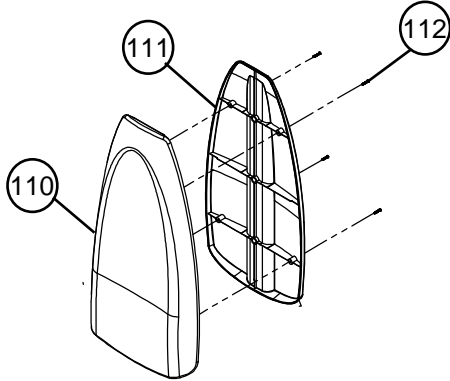
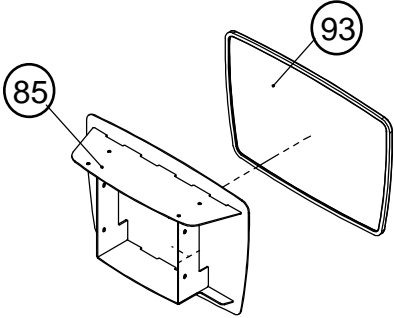
83	4	5262201-A	P20-3033	SEAT ROLLER	滾輪組
84	1		P20-3057	SEAT HANDLE ASSEMBLY	連接片組
85	1	5258901-A	P04-2877	FOOT PLATE WELDMENT	腳踏板
86	1	5260401-A	P04-2875	SEAT CARRIAGE WELDMENT	座背墊固定管
87	1	5260001-A	P04-2870	LP TOWER	主架固定管
88	2	5293901-B	P06-2254	FOOT, TOWER	腳墊
89	2	5203801-A	A06-0231	BELT PULLEY	平皮帶滑輪
90	4	5213001-A	P06-2143	CUSHION, SHROUD HOLDER	緩衝墊
91	4	5248501-A	P08-0121	SPACER, FLNG 16.2 X 10.1 X 6	T帽套管
92	8			WASHER, FLAT 12 X 5.2 X 1.0T	平面華司12X5.2X1.0T
93	1	5294301-A	P06-2257	FOOT PAD	腳踏板
94	1	5273101-A	P04-2918	SEAT HANDLE WELDMENT	把手管
95	2	5208801-A	P06-2216	HAND GRIP	把手套
96	2	5096301-B	P05-0997	COLLAR	鋁環
97	2	5096601-B	P05-0996	ALUMINUM CAP	鋁蓋
98	8			SET SCREW M4x3mmL	止付螺絲
99	1	52102PA-B	P10-0777	15LB HEAD PLATE	上片組
100	1	5210901-A	P10-0781	SELECTOR STEM	選擇桿
101	1	5303701-A	P02-4395	LANYARD CLIP	卡片
102	1	5211301-A	P03-1946	BELT CLAMP	鐵心
103	1		P05-0187	CLEVIS PIN	彈簧鞘
104	1	5211201-B	P06-2134	BELT CLAMP HOUSING	塑膠塊
105	2	5218401-B	P06-2145	BUMPER	橡膠墊
106	1	5245301	P11-0183	WEIGHT STACK SELECTOR PIN	選擇桿插鞘組
107	1			BOLT, 3/8-16 X 1-3/4" (45mm) SOCKET HEAD W/NP	六角承窩螺絲 3/8"x1 3/4"L 點耐落
108	1	5243801-C	P06-2152	TOWER CAP	塑膠蓋
109	1		P10-0098	BADGE	銘牌
110	1	5223101-A	P07-0429	BACK PAD	背墊
111	1	5223201-B	P06-2159	COVER, BACK PAD	背墊護蓋
112	4			SCREW, ROUND HEAD PHILLIP SELF TAPPING M4X20L	圓頭十字自攻螺絲
113	1	5261701-A	P04-2876	SEAT HANDLE	連接片組
114	2		P08-0156	BUSHING	含油軸承



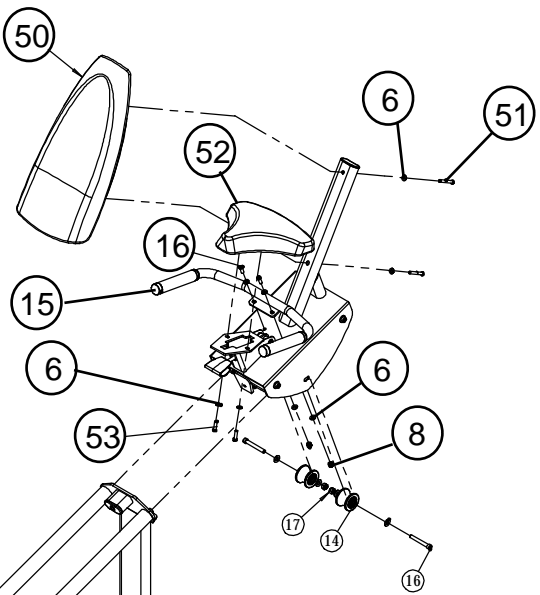
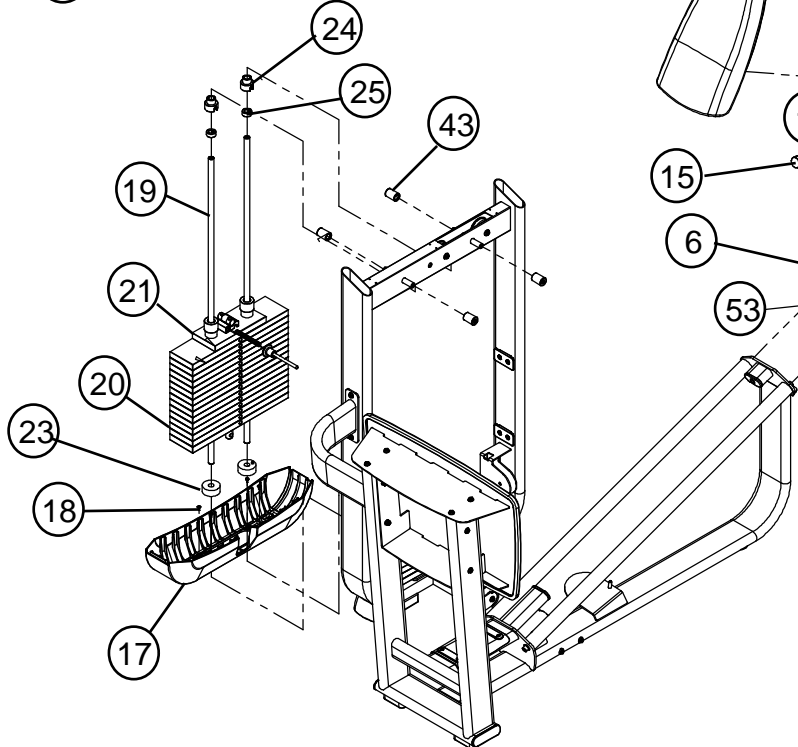
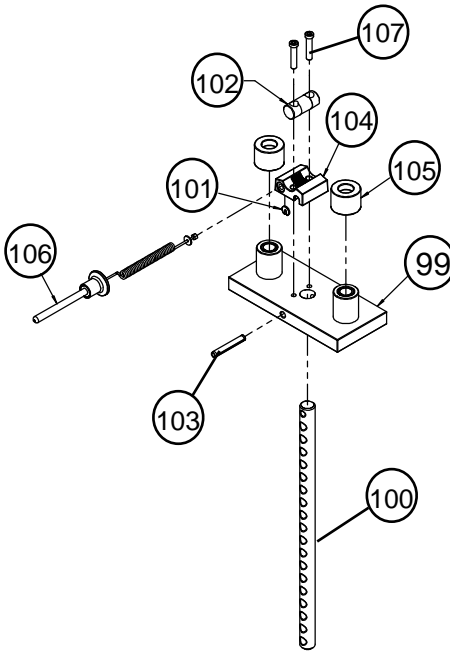
#50 P/N 5223001-B  
ASSY, BACK PAD W/VINYL & COVER



#10 P/N 52589PA-A PTD ASSY, LP FOOT PLATE

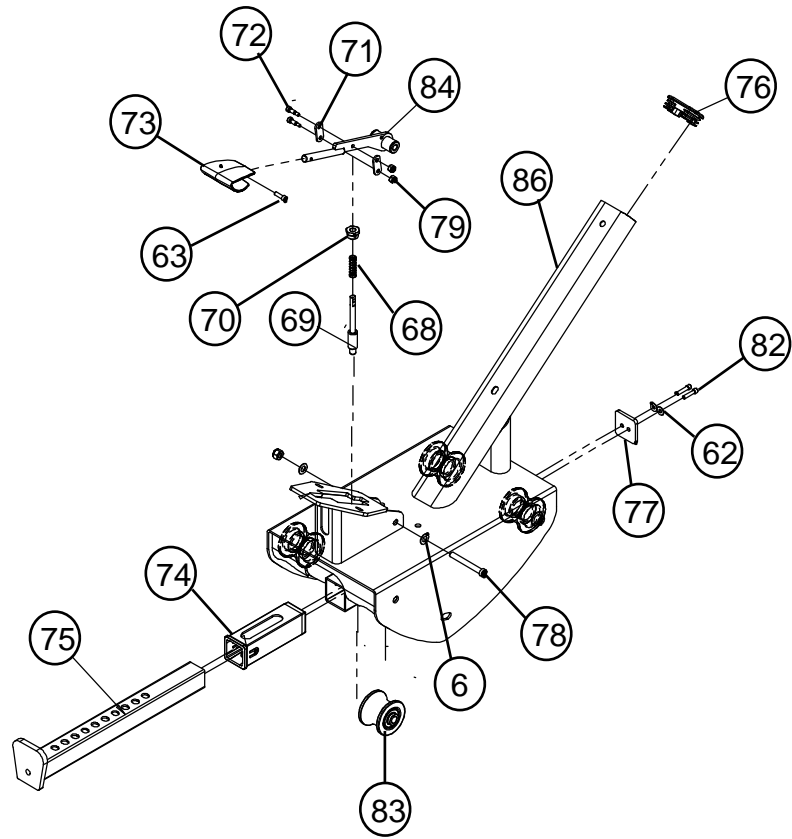


#20 P/N 52465PA-B PTD ASSY, 15 PLATE HEAD PLATE

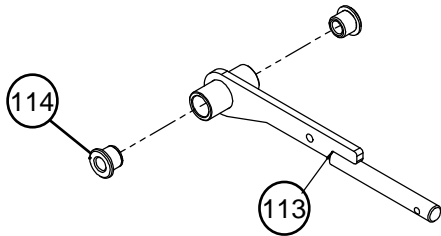




#67 P/N 52604PA-A ASSY, SEAT CARRIAGE



#84 P/N P20-3057 ASSY, SEAT HANDLE



#1 P/N 52575PA-B PTD ASSY, LP MAIN FRAME

