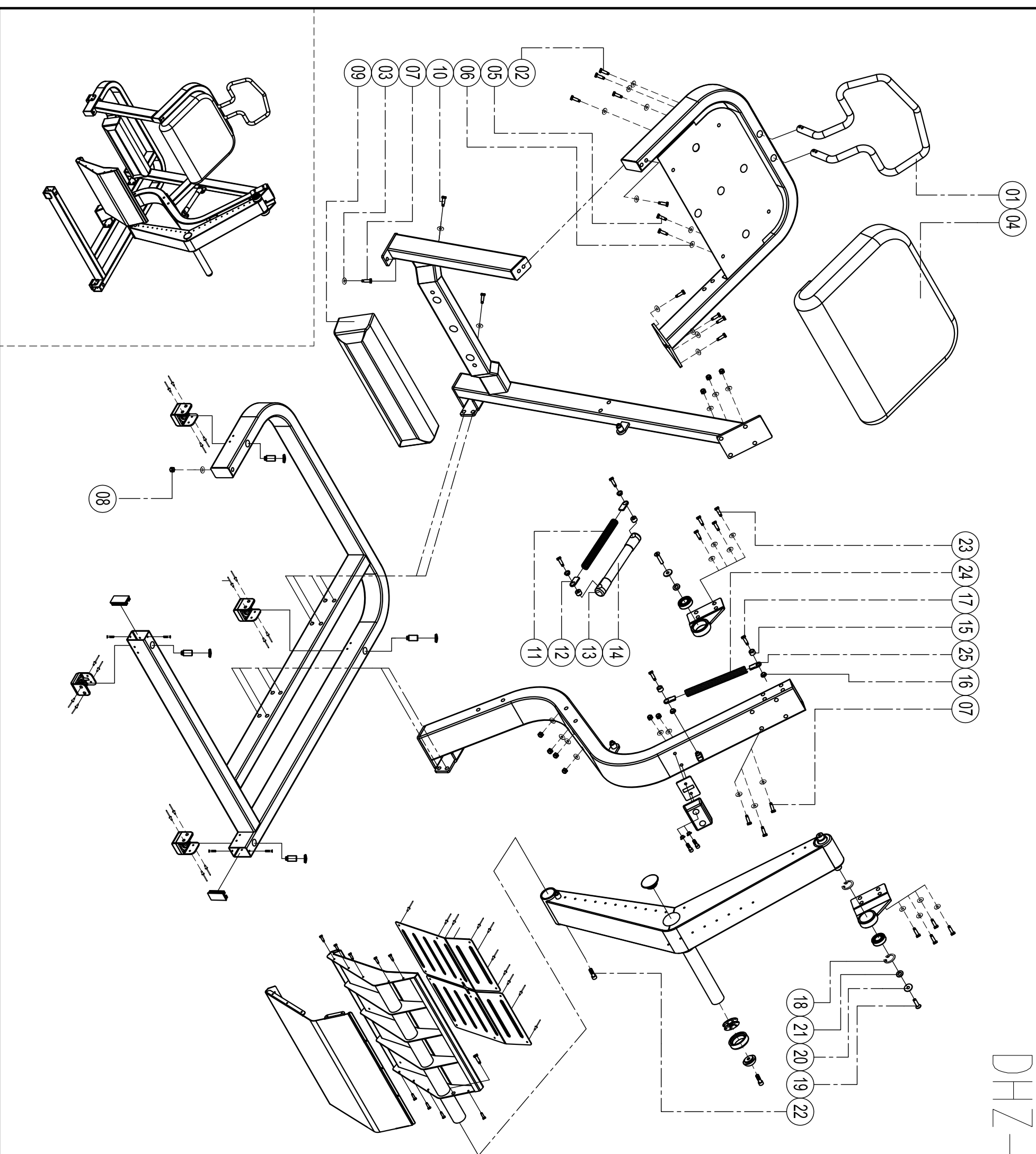


DHZ-940 Glute Isolator

please note: parts didnt demitioned part and fasteners not listed on the introduction



NO.	Name	Quantity
25	Connector of large spring	2
24	Assistance spring	1
23	Hex screw M12*30	8
22	Cheese head inner hex screw M12*30	1
21	Small gasket C088φ33*T2.5	2
20	Large gasket C068φ50*T2.5 Countersunk-head inner hex	2
19	screw M10*16	2
18	Clirclip φ52	4
17	Cheese head inner hex screw M8*20	4
16	Small shaft sleeve S308	4
15	Screw cap S307	4
14	PVC sleeve of grip φ32*230	1
13	Decorative cover	2
12	Connector of large spring(outer)	2
11	Tension spring of press leg	1
10	Hex screw M10*70	2
09	Knee pad	1
08	Hex nut(self-locking)M12	19
07	Hex screw M12*110	17
06	Flat washer φ10	6
05	Hex screw M10*20	4
04	Elbow pad	1
03	Flat washe T1.5*φ12*φ20	48
02	Hex screw M12*25	2
01	Handle combination	1