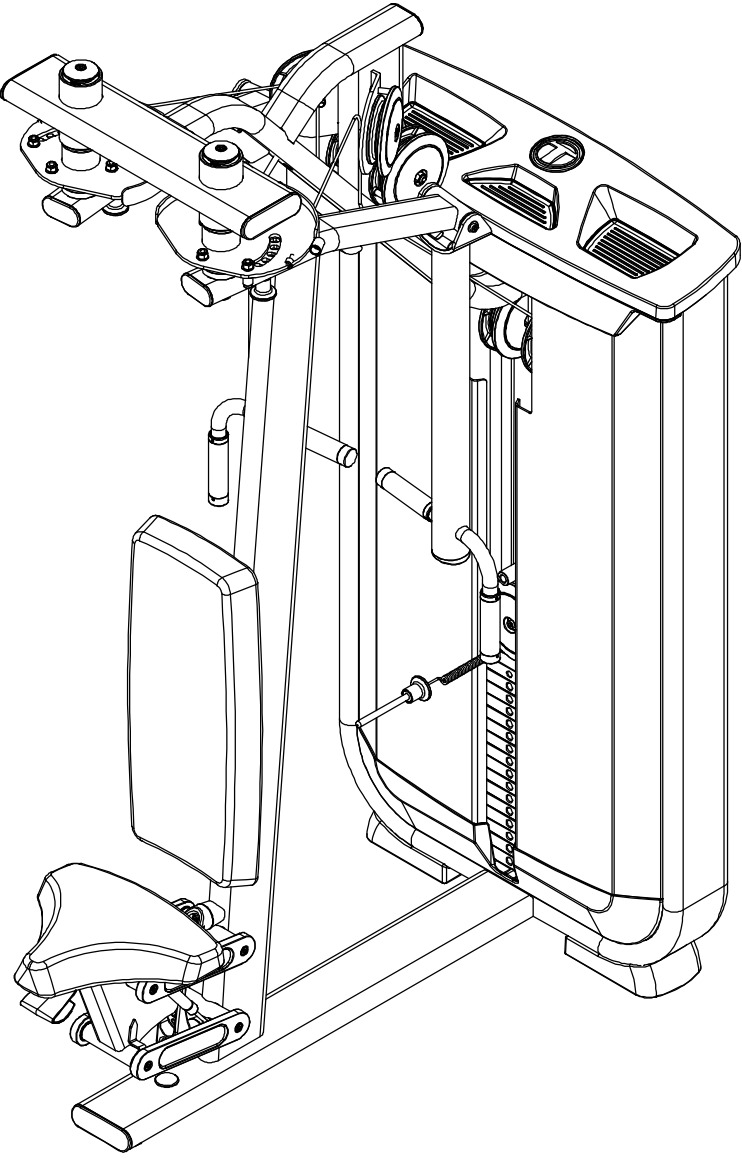


PEC FLY REAR DELT

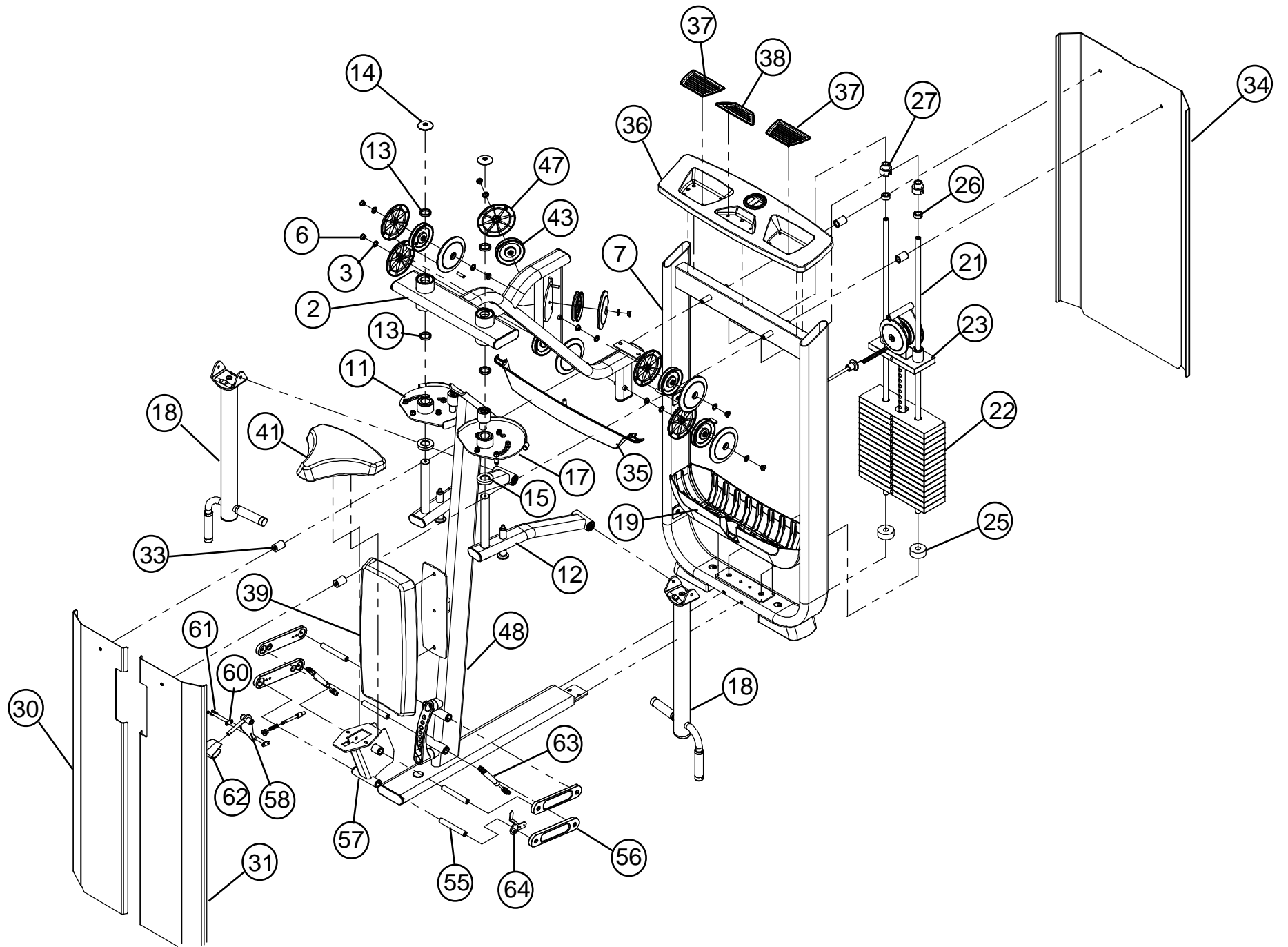


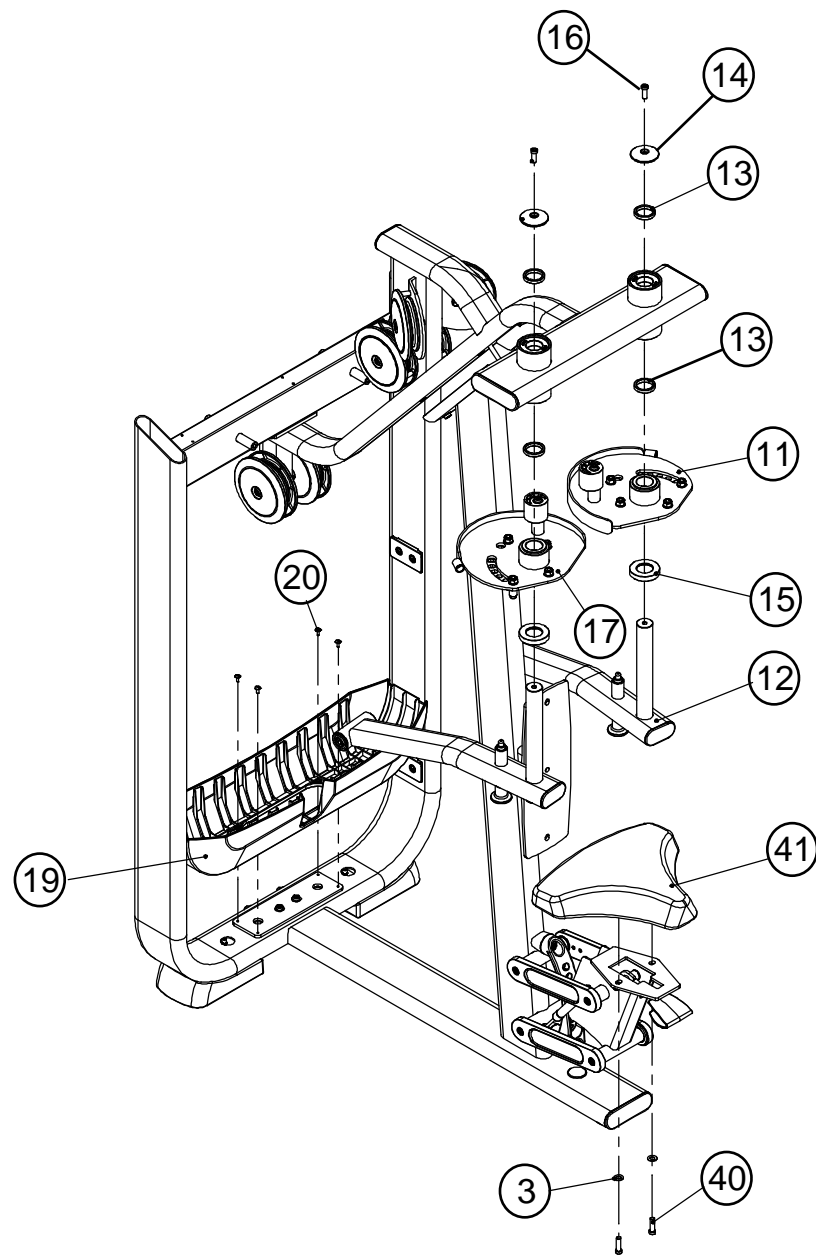
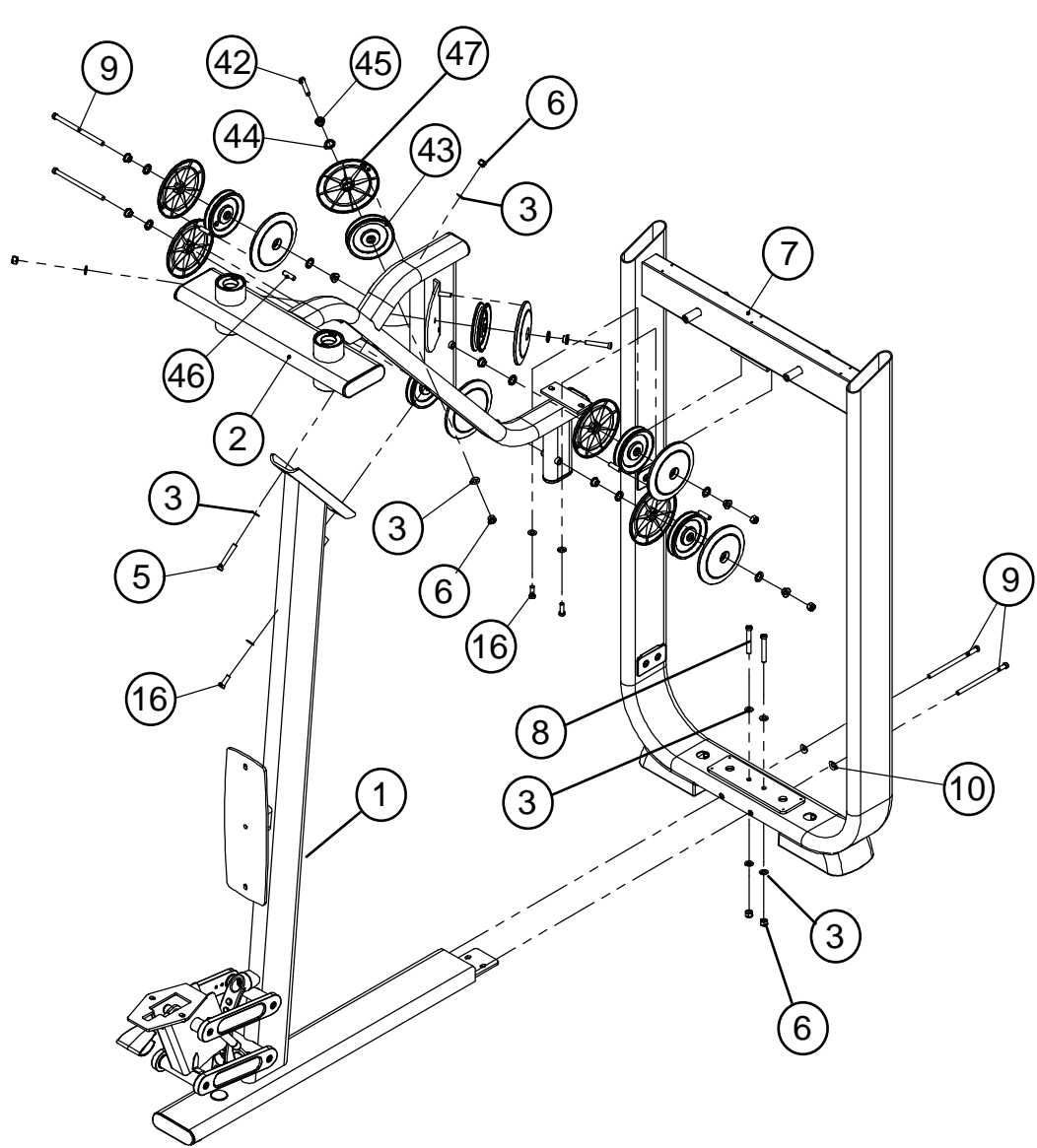
PARTS LIST

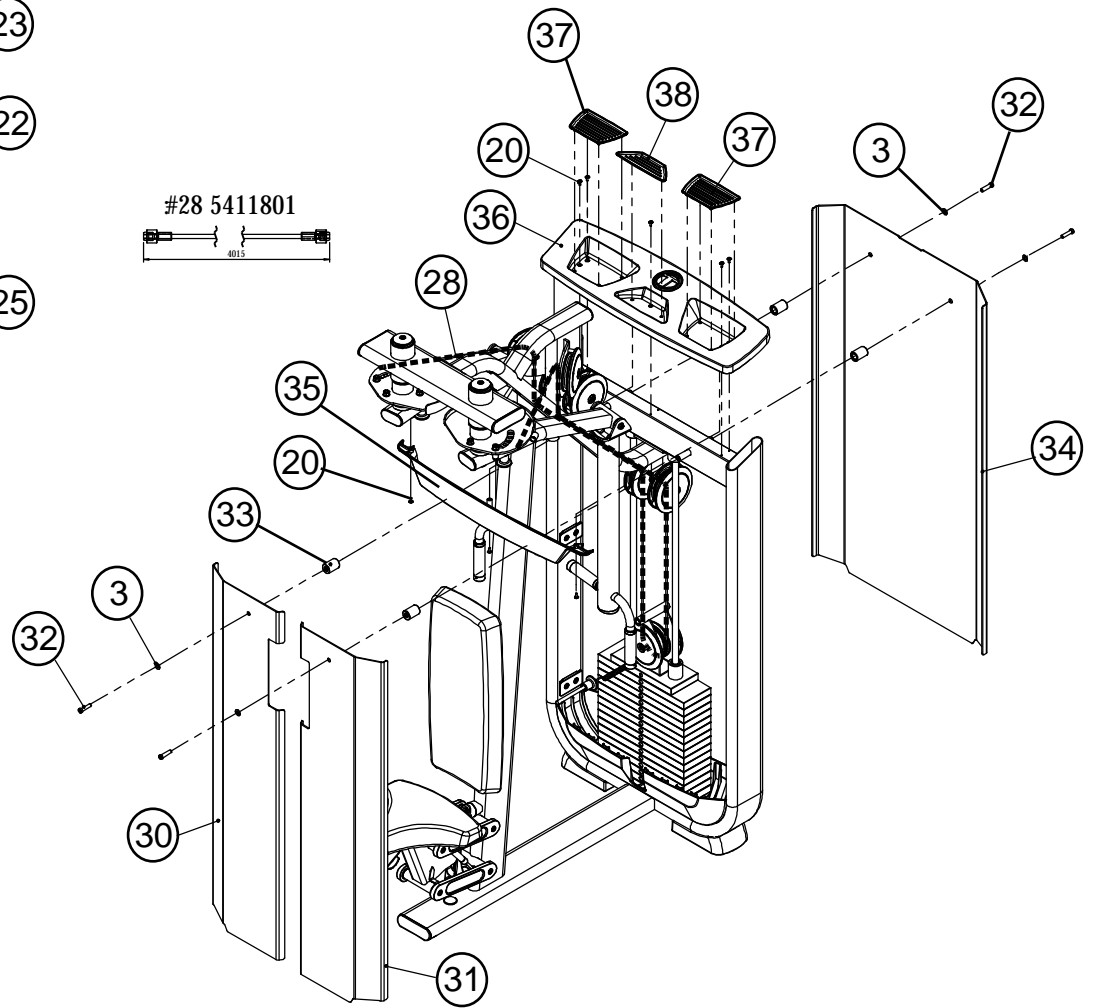
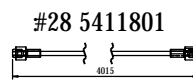
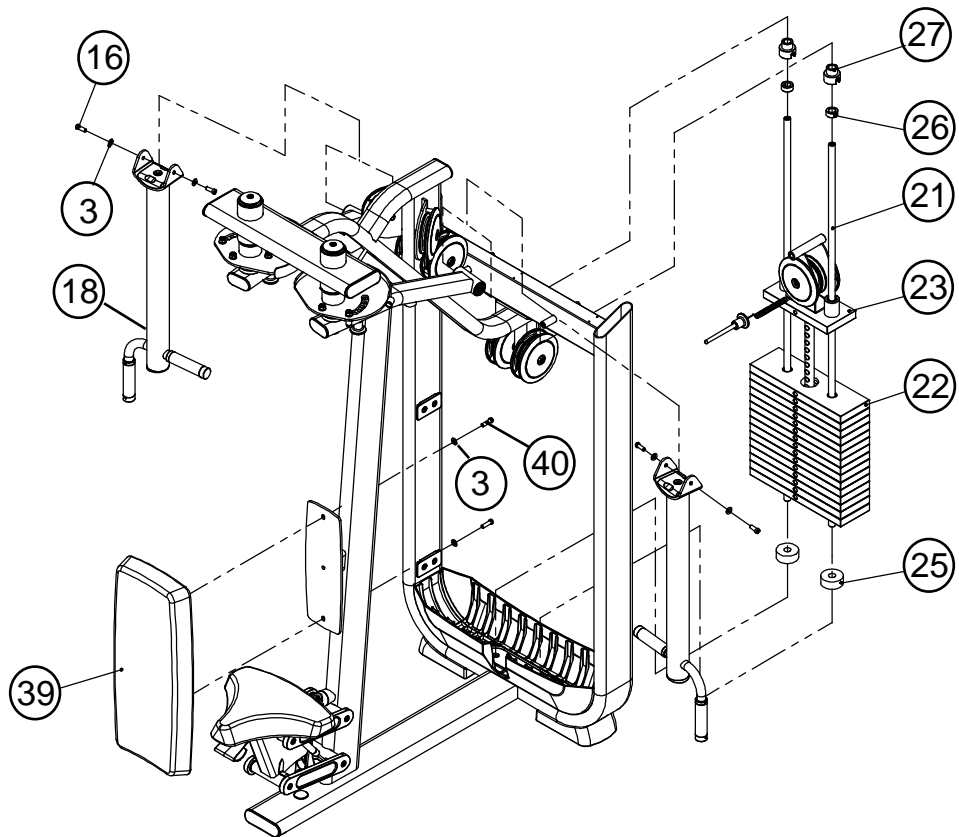
ITEM	QTY	PART NO	Paraong P/N	DESCRIPTION	Chinese Description
1	1	5401101	P20-4168	ASSY, FRONT UPRIGHT	固定立管組
2	1	53996PA	P20-4173	PTD ASSY, BEARING HOUSING	固定管組
3	21	2001101		WASHER, FLAT 3/8 SAE ST ZN	平面華司20x10.5x1.0t
4	3	2006402		BOLT, 3/8-16 X 3/4" (19mm) SOCKET HEAD W/NP	
5	1	2005409		BOLT, 3/8-16 X 2-1/2" (64mm) SOCKET HEAD	六角承窩螺絲3/8"x 2 1/2"L
6	3	2001201		NUT, 3/8-16 LK ST ZN	尼龍螺帽3/8"-16x11t
7	1	53980PA	P20-4166	PTD ASSY, PFRD TOWER	主架固定管組
8	2	2005410		BOLT, 3/8-16 X 2-3/4" (70mm) SOCKET HEAD	六角承窩螺絲3/8"x 2 3/4"L
9	2	2006424		BOLT, 3/8-16 X 6-1/4" (159mm) SOCKET HEAD W/NP	六角承窩螺絲3/8"x 6 1/4"L 點耐落
10	2	2003001		WASHER, 3/8" SAE CURVED	弧形華司
11	1	5399801	P20-4170	PTD ASSY, CAM LEFT	調整片組左
12	2	53983PA	P20-4171	ASSY, ROTATION ARM	固定管組
13	4	5349201	P03-2181	SPACER, 35 ID X 45 OD X 8	套管
14	2	5215901	P05-0979	CAP, AL END 6205Z BEARING HOUSING	鋁蓋
15	2	5357501	P03-2004	SPACER, PIVOT ARM	阻擋片
16	6	2006403		BOLT, 3/8-16 X 1" (25mm) SOCKET HEAD W/NP	六角承窩螺絲3/8"x1"L 點耐落
17	1	5399701	P20-4169	PTD ASSY, CAM RIGHT	調整片組右
18	2	53985PA	P20-4172	PTD ASSY, HANDLE ARM	把手管組
19	1	5212601	P06-2151	COVER, TOWER BASE	塑膠底座
20	12	2004802		SCREW, 10-32 X 1/2" (12MM) PAN HEAD W/NP	大扁頭十字螺絲 #10-32x 1/2"L 點耐落
21	2	5209701	P01-3735	GUIDE ROD, 19 DIA X 1315	升降桿
22	15	52101PA	P10-0778	PTD ASSY, 15 LB WEIGHT PLATE	選擇片
23	1	5401201	P20-4174	ASSY, HEAD PLATE W/SINGLE PULLEY	上片組
24	1	5297701		LABEL, WEIGHT STACK 15LBS	磅數表
25	2	5098201	P06-0034	CUSHION, WEIGHT STACK	橡膠墊
26	2	5095301	A05-0212	SHAFT COLLAR, GUIDE ROD	固定軸套組
27	2	5209801	P06-2144	BUSHING, GUIDE ROD RETAINER	升降桿護套
28	1	5411801	P13-0449	CABLE ASSY, PFRD	鋼索
29	2	5097301		SLEEVE, CABLE END (P05-0103B)	
30	1	5402701	P10-1081	SHROUD, TOWER FRONT - RHT	前護網 右
31	1	5402801	P10-1082	SHROUD, TOWER FRONT - LFT	前護網 左
32	4	2005405		BOLT, 3/8-16 X 1-1/2" (38mm) SOCKET HEAD	六角承窩螺絲3/8"x1 1/2"L
33	4	5213201	P06-2146	MOUNT, 19MM ID STANDOFF	橡膠套
34	1	5297001	P10-0783	ASSY, REAR SHROUD	后護網
35	1	5402901		ASSY, PFRD PLACARD	塑膠蓋組含運動看板
36	1	5294601	P20-2990	ASSY, TOWER CAP	塑膠蓋組
37	2	5244001	P06-2155	TRAY, TOWER CAP - LARGE	橡膠墊
38	1	5244101	P06-2156	TRAY, TOWER CAP - SMALL	橡膠墊
39	1	5308501	P07-0449	PAD, MEDIUM BACK	背墊
40	4	2006404		BOLT, 3/8-16 X 1-1/4" (32mm) SOCKET HEAD W/NP	六角承窩螺絲3/8"x1 1/4"L點耐落
41	1	5246201	P07-0434	PAD, SMALL SEAT	座墊
42	2	2005408		BOLT, 3/8-16 X 2-1/4" (57mm) SOCKET HEAD	六角承窩螺絲3/8"x 2 1/4"L
43	6	5094501	P06-0961	PULLEY, 4-1/2 OD X 25	大滑輪

44	12	5217601-A	P06-2208	WASHER, RUBBER 19 ID X 25 OD X 3	墊片
45	10	5216301-A	P08-0165	SPACER, FLNG 16.2 X 10.2 X 7.5	T帽套管
46	4	5224101-A	P03-2021	SPACER	鐵心
47	10	5214601-C	P06-2135	COVER, PULLEY 152MM DIA	護蓋
48	1	54004PA	P20-4167	FRONT UPRIGHT	立管組
49	1	5400401	P04-3725	FRONT UPRIGHT WELDMENT	立管焊接件
50	1	5205501-A	P05-0962	ADJUSTMENT, SEAT	調整塊
51	4		P08-0048	BUSHING, 25.55X19.05X16 FLANGE BRONZE	含油軸承
52	3	5205401-A	P06-2129	END CAP, FLATOVAL	橢圓管塞
53	1	5294101-A	P06-2256	Main Frame Leveler	腳墊
54	1	5249001	P06-0134	CAP, HOLE	扣塞
55	2	5205301-A	P03-1949	SHAFT, SEAT ADJUSTMENT	鐵心
56	4	5246301-D	P06-2154	PLATE, SEAT	連接片
57	1	52058PA-A	P20-2992	HOUSING, SEAT	座墊固定片組
58	1	52062PA-A	P20-2993	ASSEMBLY, SEAT HANDLE	連接片組
59	1	5206601-B	P05-0975	PIN	插鞘桿
60	2	5206701-A	P02-4250	PLATE, SEAT HANDLE	固定片
61	2	20039-A	P05-0986	SHOULDER BOLT	限位螺絲
62	1	5218501-C	P06-2138	KNOB, PLASTIC, SEAT	手柄
63	2	5246401-A	P05-0976	GAS CYLINDER	氣壓缸
64	1	5280301-A	P02-4253	INDICATOR, SEAT ADJUSTMENT	標示片
65	1		P05-0011	SPRING	彈簧
66	1	2006503		BOLT, 1/4-20 X 3/4" (19mm) SOCKET HEAD W/NP	六角承窩螺絲 1/4" x 3/4"L 點耐落
67	1		P05-0438	NUT, JAM	調整螺帽
68	1			NUT, 3/8-16 X 7.2T, LK ST ZN	尼龍螺帽3/8"-16x7.2t
69	2			NUT, 1/4"-20X8.0T	尼龍螺帽 1/4"-20x8.0t
70	2	2004802		SCREW, 10-32 X 1/2" (12MM) PAN HEAD W/NP	大扁頭十字螺絲 #10-32 X 1/2"L 點耐落
71	1	5205801-A	P04-2819	SEAT HOUSING WELDMENT	座墊固定片焊接件
72	1	5260201-A	P04-2827	SEAT HANDLE WELDMENT	連接片焊接件
73	2		P08-0156	BUSHING	含油軸承
74	1		P04-3724	PFRD TOWER WELDMENT	主架管焊接件
75	8			AVK INSERT	拉帽
76	8			WASHER, FLAT 12mm X 5.2mm SAE ST ZN	平面華司 12x5.2
77	8			WASHER, FLAT 16mm X 6.5mm SAE ST ZN	平面華司 16x6.5
78	4	5213001-A	P06-2143	CUSHION, SHROUD HOLDER	緩衝墊
79	2	5293901-B	P06-2254	FOOT, TOWER	腳墊
80	1		P04-3726	BEARING HOUSING WELDMENT	固定管焊接件
81	4			6007ZZ BEARING	培林
82	2		A06-0529	FLATOVAL END CAP	橢圓管塞
83	1	5205201-A	P06-2188	CUSHION	緩衝墊
84	1	5398501	P04-3730	HANLD ARM WELDMENT	把手管焊接件
85	1	5245901-B	P06-2142	CUSHION	橡膠墊
86	2	5234701-A	P06-2217	HAND GRIP	把手套
87	2	5095701-B	P05-1001	ALUMINUM CAP	鋁蓋
88	2	5095601-B	P05-1002	COLLAR	固定軸套

89	1	5226801-A	P06-2130	ROUND END CAP	圓管內塞
90	8			Set Screw M4 x 3mmL W/NP	止付螺絲 點耐落
91	1	5398301	P04-3729	ROTATION ARM WELDMENT	固定管焊接件
92	2	5096701-A	P05-0115	BEARING	培林
93	1	5263601-A	P11-0187	ADJUSTMENT PIN	調整彈簧插軸組
94	1	5399001	P03-2667	ROTATION ARM SHAFT	軸心
95	1	5399201	P04-3727	RIGHT CAM WELDMENT	右調整片焊接件
96	2	5355301	P08-0207	BUSHING	含油軸承
97	1	5399401	P02-5865	ADJUSTMENT PLATE	調整片
98	2	5402601	P06-2883	STOP	護套
99	1		P06-0534	ECCENTRIC ROLLER	偏心輪
100	2			BOLT, 3/8-16 X 1-3/4" (45mm) SOCKET HEAD	六角承窩螺絲 3/8" x 1 3/4"L
101	1	541101	P04-3732	LEFT CAM WELDMENT	左調整片焊接件
102	1	5243801-C	P06-2152	TOWER CAP	塑膠蓋
103	1		P10-0098	BADGE	銘牌
104	1	52102PA-B	P10-0777	15LB HEAD PLATE	上片
105	1		P05-0187	CLEVIS PIN	彈簧軸
106	1	5210901-A	P10-0781	SELECTOR STEM	選擇桿
107	1	5245301	P11-0183	WEIGHT STACK SELECTOR PIN	選擇桿插軸組
108	1	5401301	P04-3731	PULLEY HOUSING	輪座片組
109	2	5402501	P03-2668	SPACER	套管
110	1	5402301	P03-2670	SHAFT	鐵心
111	1	5324101-A	P02-4482	ADJUSTMENT PLATE	調整片
112	1			BOLT, 3/8-16 X 4-1/2" (115mm) SOCKET HEAD	六角承窩螺絲 3/8" x 4 1/2"L



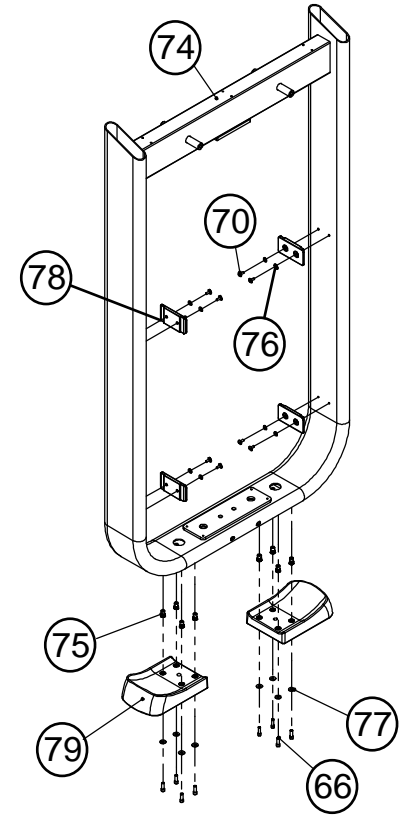
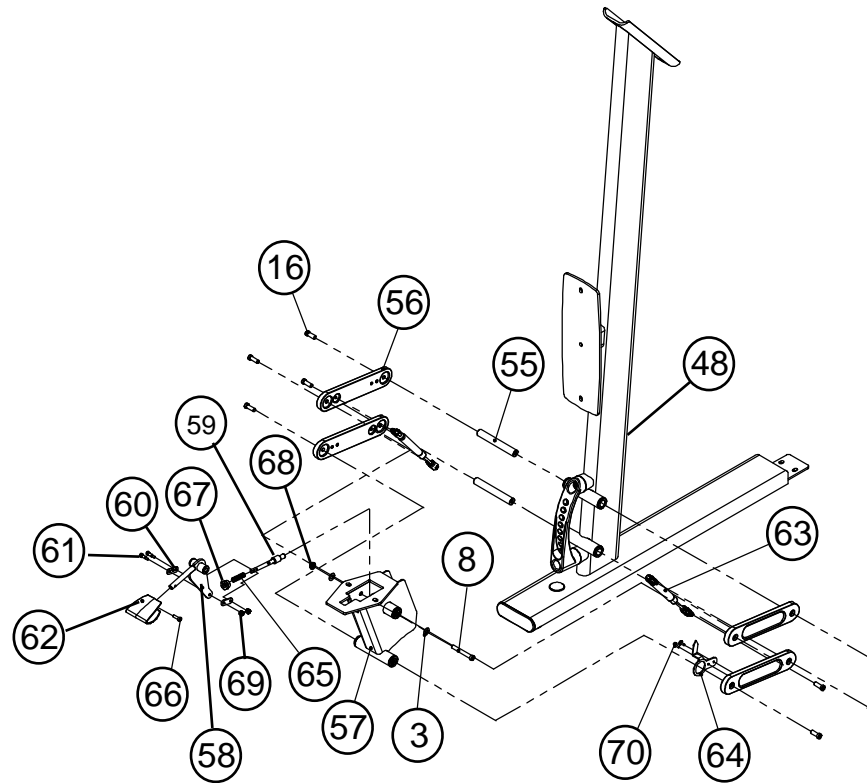
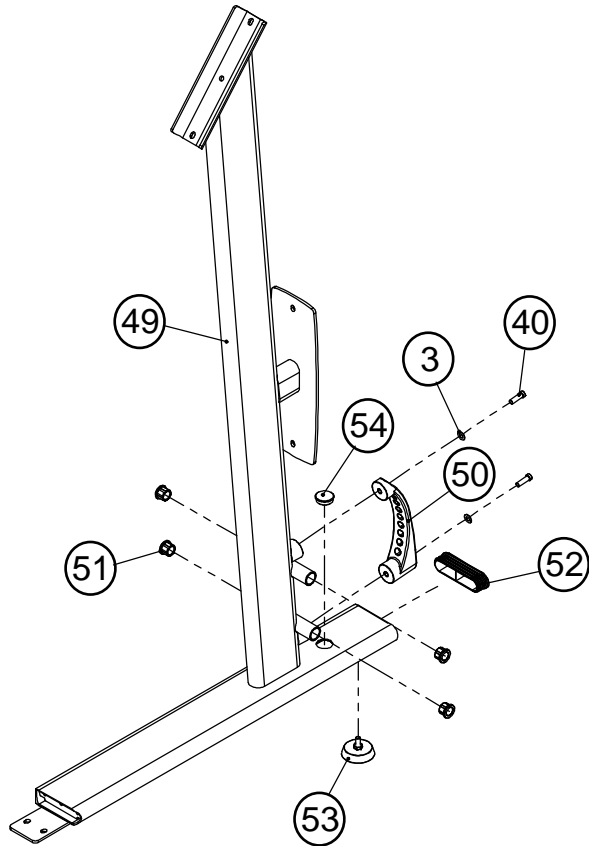




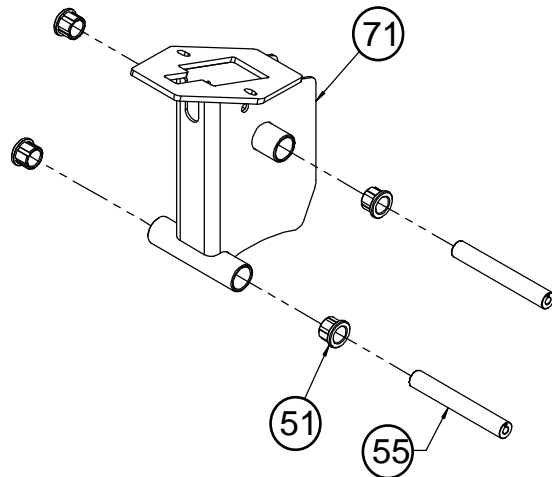
#48 P/N 54004PA FRONT UPRIGHT

#1 P/N 5401101 ASSY, FRONT UPRIGHT

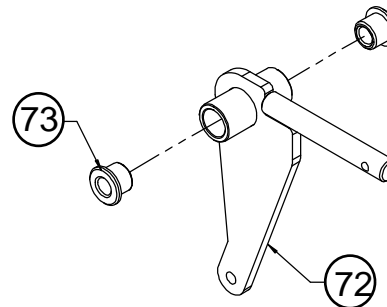
#7 P/N 53980PA PTD ASSY, PFRD TOWER



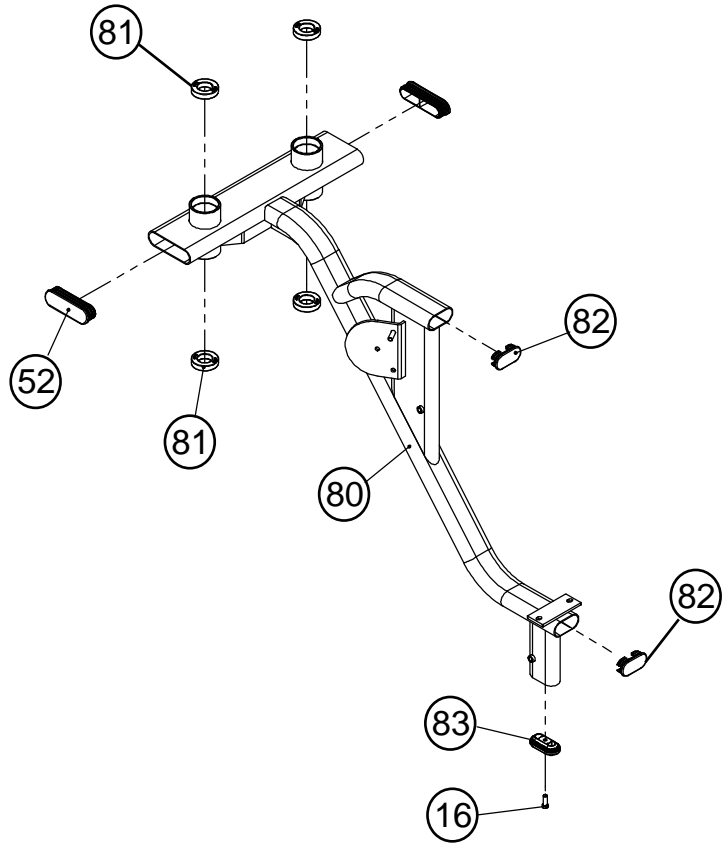
#57 P/N 52058PA SEAT HOUSING



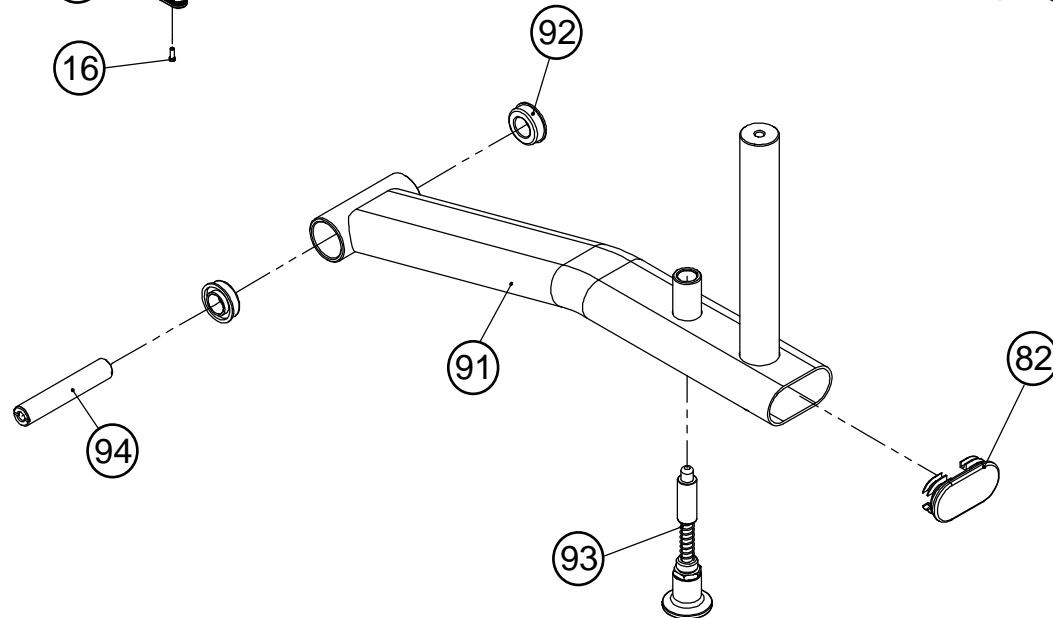
#58 P/N 52062PA SEAT HANDLE ASSEMBLY



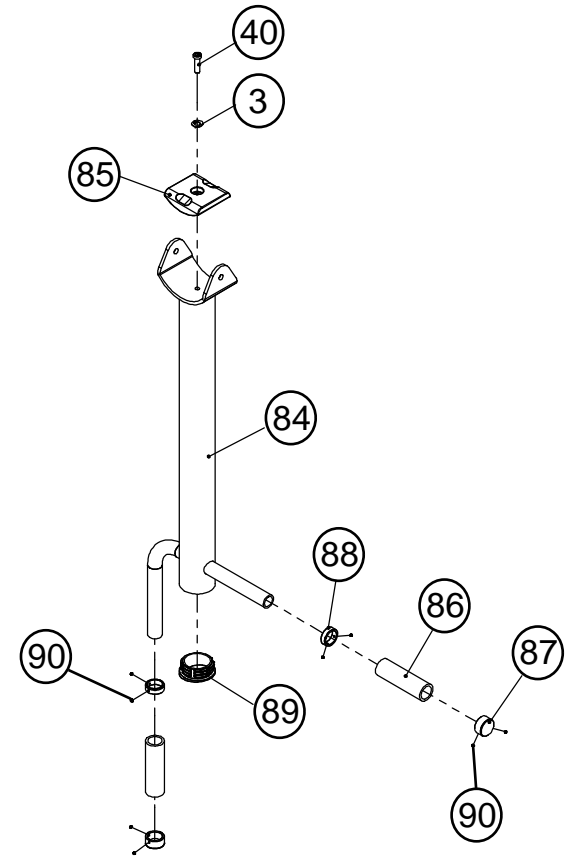
#2 P/N 53996PA PTD ASSY, BEARING HOUSING



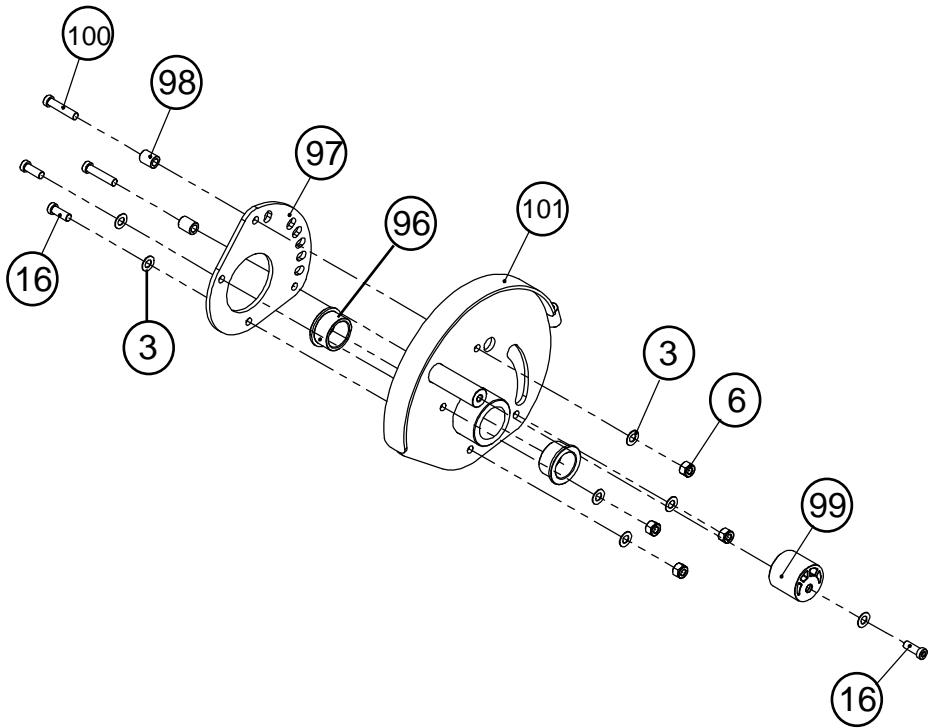
#12 P/N 53983PA ASSY, ROTATION ARM



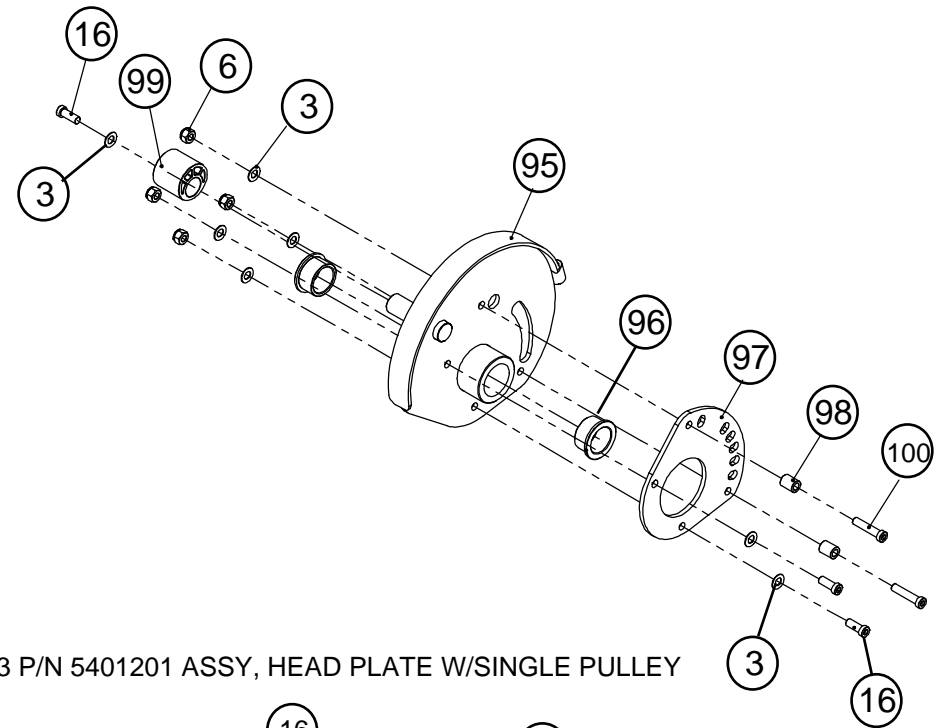
#18 P/N 53985PA PTD ASSY, HANDLE ARM



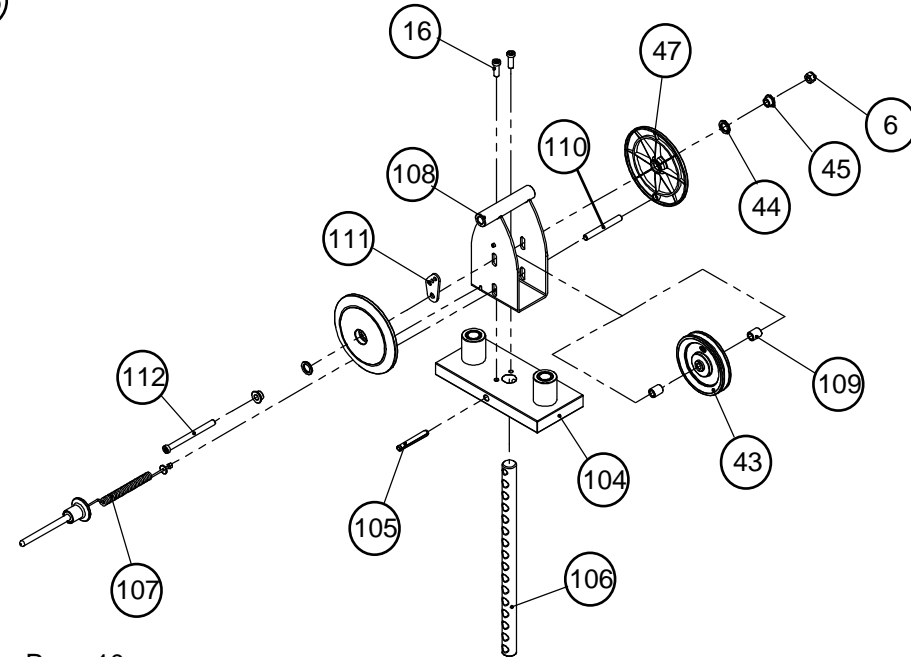
#11 P/N 5399801 PTD ASSY, CAM LEFT



#17 P/N 5399701 PTD ASSY, CAM RIGHT



#23 P/N 5401201 ASSY, HEAD PLATE W/SINGLE PULLEY



#36 P/N 5294601 ASSY, TOWER CAP

