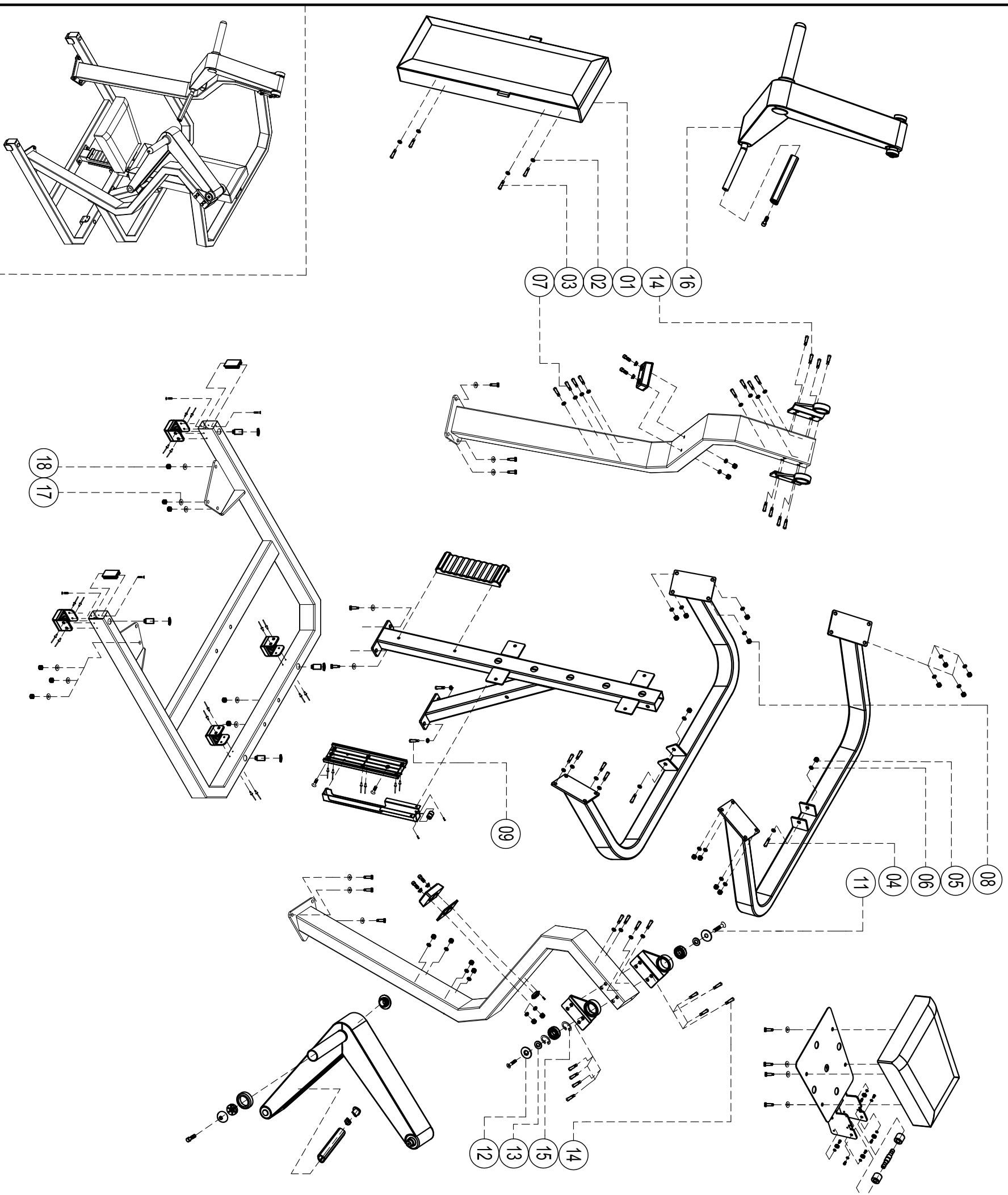


# DHZ-905 Chest Press

please note: parts didnt demitioned part and fasteners not listed on the introduction



NO.	Name	Quantity
01	Back cushion	1
02	Flat washer φ10	8
03	Hex screw M10*30	8
04	Hex screw M12*110	4
05	Hex nut(self-locking)M12	4
07	Hex screw M12*85	16
08	Hex nut(self-locking)M12	16
09	Hex screw M12*75	2
11	Countersunk hend inner hex screwM10*20	4
12	Large Gasket C068φ50*T2.5	4
13	Small pads C088φ33*T2.5	4
14	Hex screw M12*30	22
15	Circlip φ52	4
16	Movable arm group	2