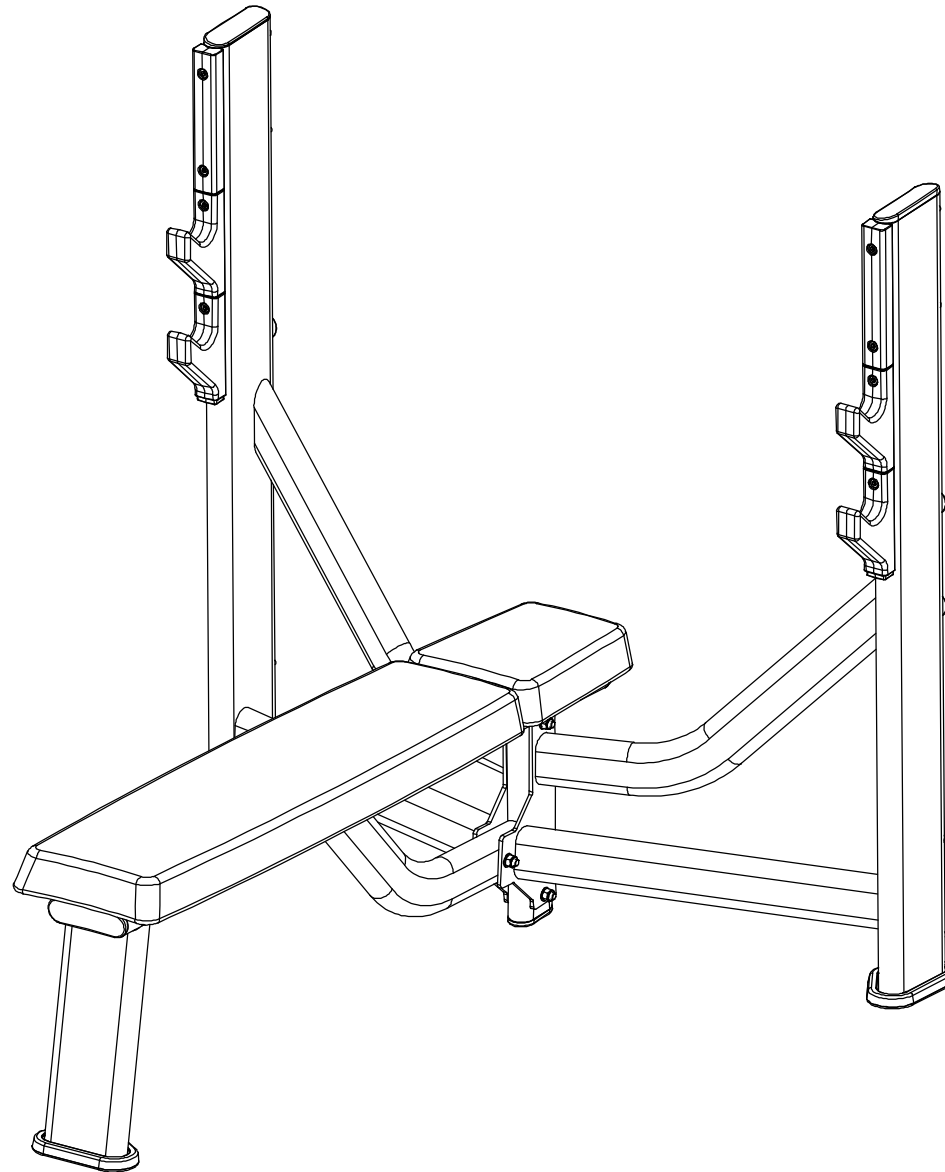


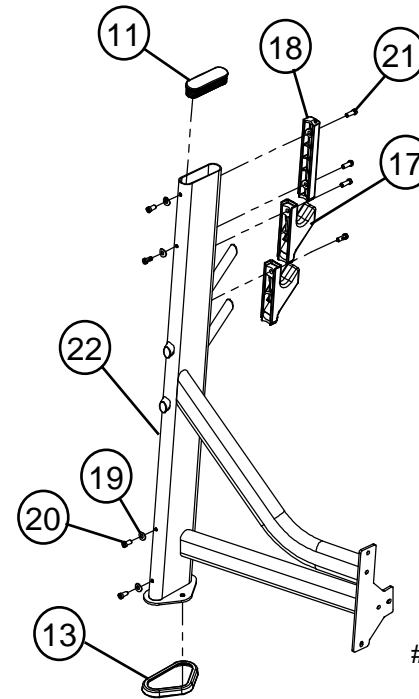
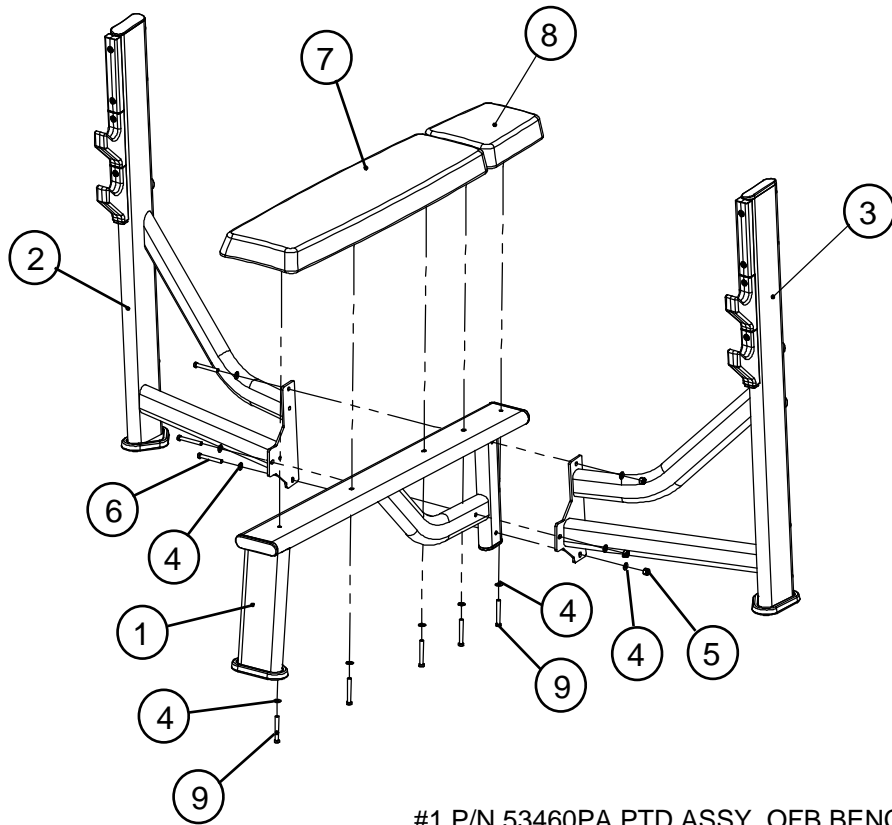
OLYMPIC FLAT BENCH



PARTS LIST

ITEM	QTY.	PART NO.	Paragon P/N	DESCRIPTION	CHINESE DESCRIPTION
1	1	53460PA	P20-2893	PTD ASSY, OFB BENCH FRAME	固定管組
2	1	53462PA	P20-2895	PTD ASSY, OFB RIGHT UPRIGHT	立管組右
3	1	53464PA	P20-2894	PTD ASSY, OFB LEFT UPRIGHT	左立管組
4	11	2001101		WASHER, FLAT 3/8 SAE ST ZN	平面華司 20X10.5X1.0T
5	3	2001201		NUT, 3/8-16 LK ST ZN	尼龍螺帽3/8"-16x11T
6	3	2005410		BOLT, 3/8-16 X 2-3/4" (70mm) SOCKET HEAD	六角承窩螺絲 3/8"x 2-3/4"L
7	1	5277101-A	P07-0440	PAD, BACK	背墊
1	1	5276801-A	P07-0441	PAD, HEAD	頭墊
9	5	2006410		BOLT, 3/8-16 X 2-3/4" (70mm) SOCKET HEAD W/NP	內六角承窩螺絲 3/8"X 2 3/4"L 點耐落
10	1	5275401-B	P04-2809	OFB BENCH FRAME WELDMENT	固定管
11	4	5205401-A	P06-2129	END CAP, FLATOVAL	橢圓管塞
12	1	5205201-A	P06-2188	CUSHION	緩衝墊
13	3	5257201-A	P06-2203	RUBBER FOOT PAD	橡膠墊
14	1			WASHER, FLAT 16 X 6.5 X 1.0T	平面華司16X6.5X1.0T
15	1	2006503		BOLT, 1/4-20 X 3/4" (19mm) SOCKET HEAD W/NP	六角承窩螺絲 1/4"x 3/4"L 點耐落
16	1	5275901-E	P04-2811	OFB RIGHT UPRIGHT WELDMENT	右立管
17	2	5289201-E	P06-2242	PLASTIC RACK	塑膠護蓋
18	4	5289301-E	P06-2241	UPPER UPRIGHT COVER	塑膠護蓋
19	8	2003001		WASHER, 3/8" SAE CURVED	弧形華司
20	8	2006401		BOLT, 3/8-16 X 3/4" (19mm) SOCKET HEAD W/NP	六角承窩螺絲 3/8"x 3/4"L 點耐落
21	8	2006403		BOLT, 3/8-16 X 1" (25mm) SOCKET HEAD W/NP	六角承窩螺絲 3/8"x 1"L 點耐落
22	1	5276501-E	P04-2810	OFB LEFT UPRIGHT WELDMENT	左立管

#3 P/N 53464PA PTD ASSY, OFB LEFT UPRIGHT



#1 P/N 53462PA PTD ASSY, OFB RIGHT UPRIGHT

#1 P/N 53460PA PTD ASSY, OFB BENCH FRAME

