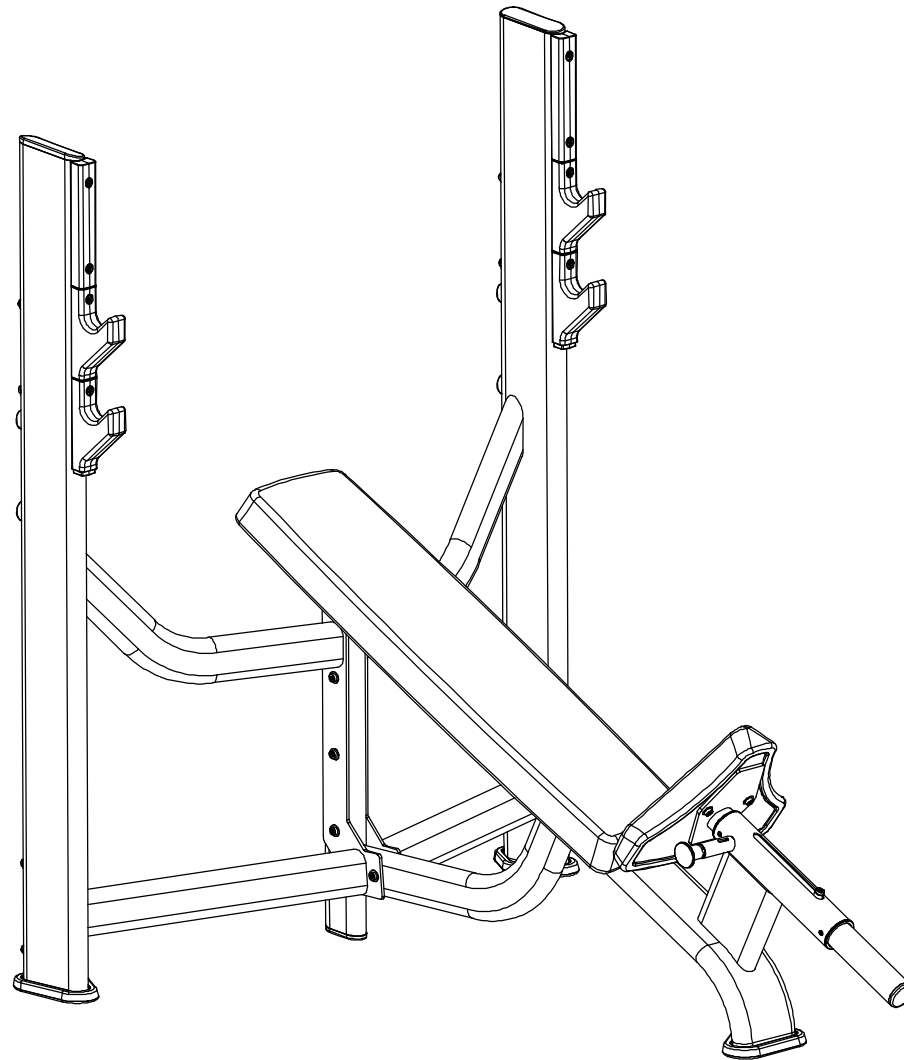


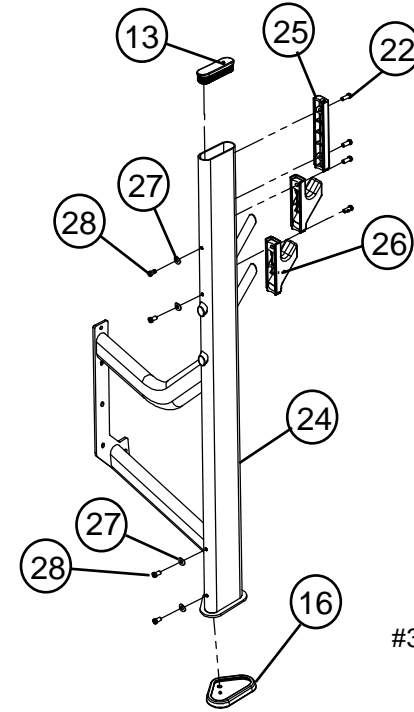
OLYMPIC INCLINE BENCH



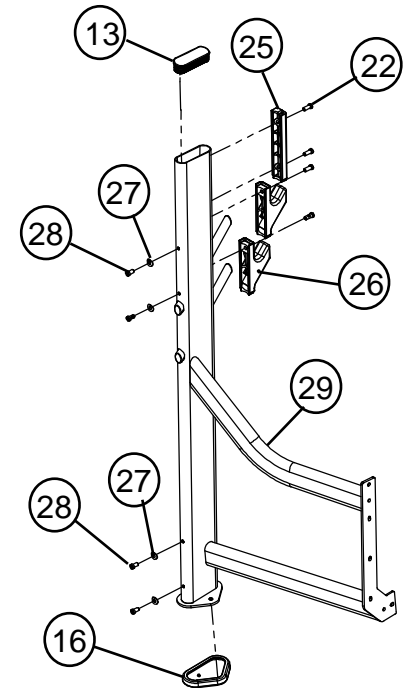
PARTS LIST

ITEM	QTY.	PART NO.	Paragon P/N	DESCRIPTION	CHINESE DESCRIPTION
1	1	52856PA-B	P20-3044	PTD ASSY, OIB BENCH FRAME	支撐管組
2	1	52864PA-B	P20-3042	PTD ASSY, OIB RIGHT UPRIGHT	右立管組
3	1	52869PA-B	P20-3043	PTD ASSY, OIB LEFT UPRIGHT	左立管組
4	5	2001201		NUT, 3/8-16 LK ST ZN	尼龍螺帽3/8"-16x11T
5	5	2005410		BOLT, 3/8-16 X 2-3/4" (70mm) SOCKET HEAD	六角承窩螺絲 3/8"x 2-3/4"L
6	15	2001101		WASHER, FLAT 3/8 SAE ST ZN	平面華司 20X10.5X1.0T
7	1	5277101-A	P07-0440	PAD, BACK	背墊
8	3	2006410		BOLT, 3/8-16 X 2-3/4" (70mm) SOCKET HEAD W/NP	內六角承窩螺絲 3/8"x 2 3/4"L 點耐落
9	3	5246201-B	P07-0441	PAD, SMALL SEAT	座墊
10	2	2006405		BOLT, 3/8-16 X 1-1/2" (38mm) SOCKET HEAD W/NP	內六角承窩螺絲 3/8"x 1 1/2"L 點耐落
11	1	5285601-6	P04-2919	OIB BENCH FRAME WELDMENT	支撐管組
12	1	20059-A	P05-0988	COTTER PIN	開口銷
13	1	5205401-A	P06-2129	END CAP, FLATOVAL	橢圓管塞
14	2	5234301-B	P06-2131	ADJUSTMENT SLEEVE	中管塞
15	1	5205201-A	P06-2188	CUSHION	緩衝墊
16	1	5257201-A	P06-2203	RUBBER FOOT PAD	橡膠墊
17	1	5280401-A	P11-0190	SEAT ADJUSTMENT PIN	調整彈簧插銷組
18	1			WASHER, FLAT 16 X 6.5 X 1.0T	平面華司16X6.5X1.0T
19	1	2006503		BOLT, 1/4-20 X 3/4" (19mm) SOCKET HEAD W/NP	六角承窩螺絲 1/4"x 3/4"L 點耐落
20	2			SCREW, 10-32 X 5MM) PAN HEAD W/NP	大扁頭十字螺絲#10-32x 5MML 點耐落
21	1		P20-3045	SEAT ADJUSTMENT	內調整管組
22	1	2006403		BOLT, 3/8-16 X 1" (25mm) SOCKET HEAD W/NP	六角承窩螺絲 3/8"x 1"L 點耐落
23	1	5234801-A	P03-2019	SPACER	套管
24	1	5286401-6	P04-2920	OIB RIGHT UPRIGHT WELDMENT	右立管組
25	4	5289301-E	P06-2241	UPPER UPRIGHT COVER	塑膠護蓋
26	2	5289201-E	P06-2242	PLASTIC RACK	塑膠護蓋
27	8	2003001		WASHER, 3/8" SAE CURVED	弧形華司
28	8	2006401		BOLT, 3/8-16 X 3/4" (19mm) SOCKET HEAD W/NP	六角承窩螺絲 3/8"x 3/4"L 點耐落
29	1	5286901-6	P04-2921	OIB LEFT UPRIGHT WELDMENT	左立管組
30	1	5286201-2	P04-2922	SEAT ADJ WELDMENT	內調整管
31	1		P06-0349	ROUND END CAP	圓管內塞

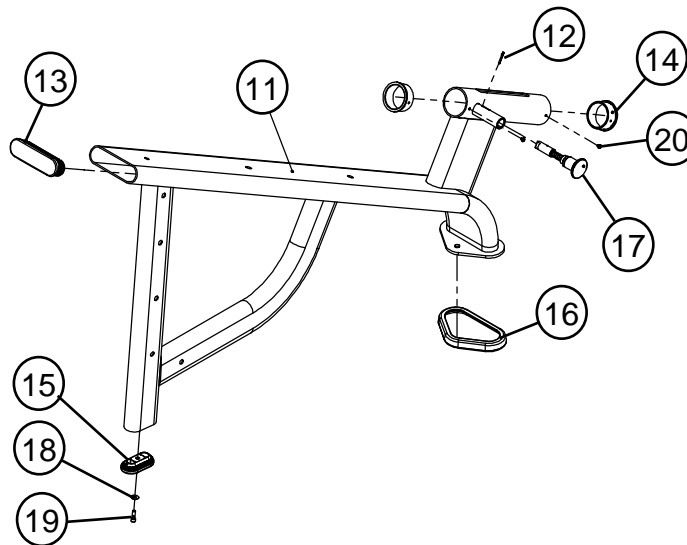
#2 P/N 52864PA-B PTD ASSY, OIB RIGHT UPRIGHT



#3 P/N 52869PA-B
PTD ASSY, OIB LEFT UPRIGHT



#1 P/N 52856PA-B PTD ASSY, OIB BENCH FRAME



#21 P/N P20-3045 ASSY, SEAT ADJUSTMENT

