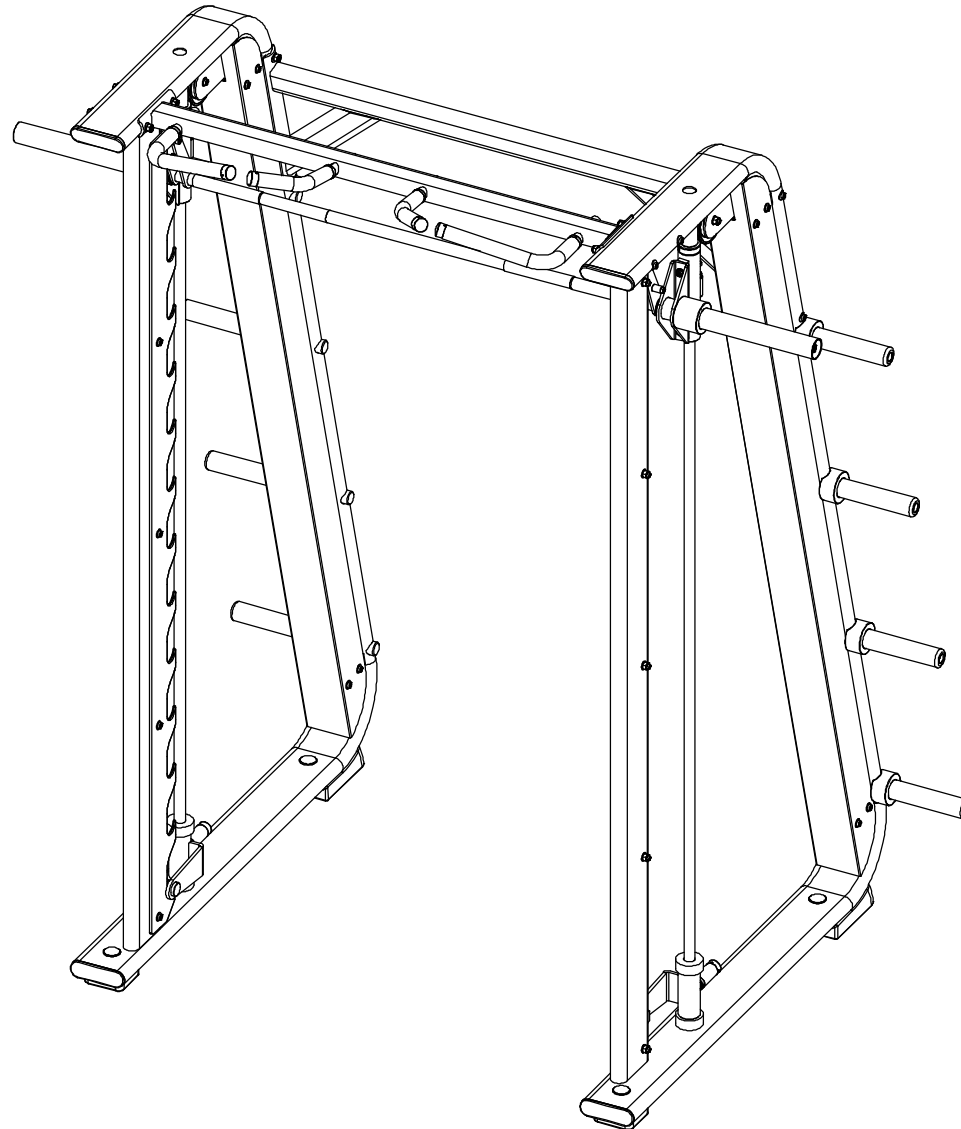


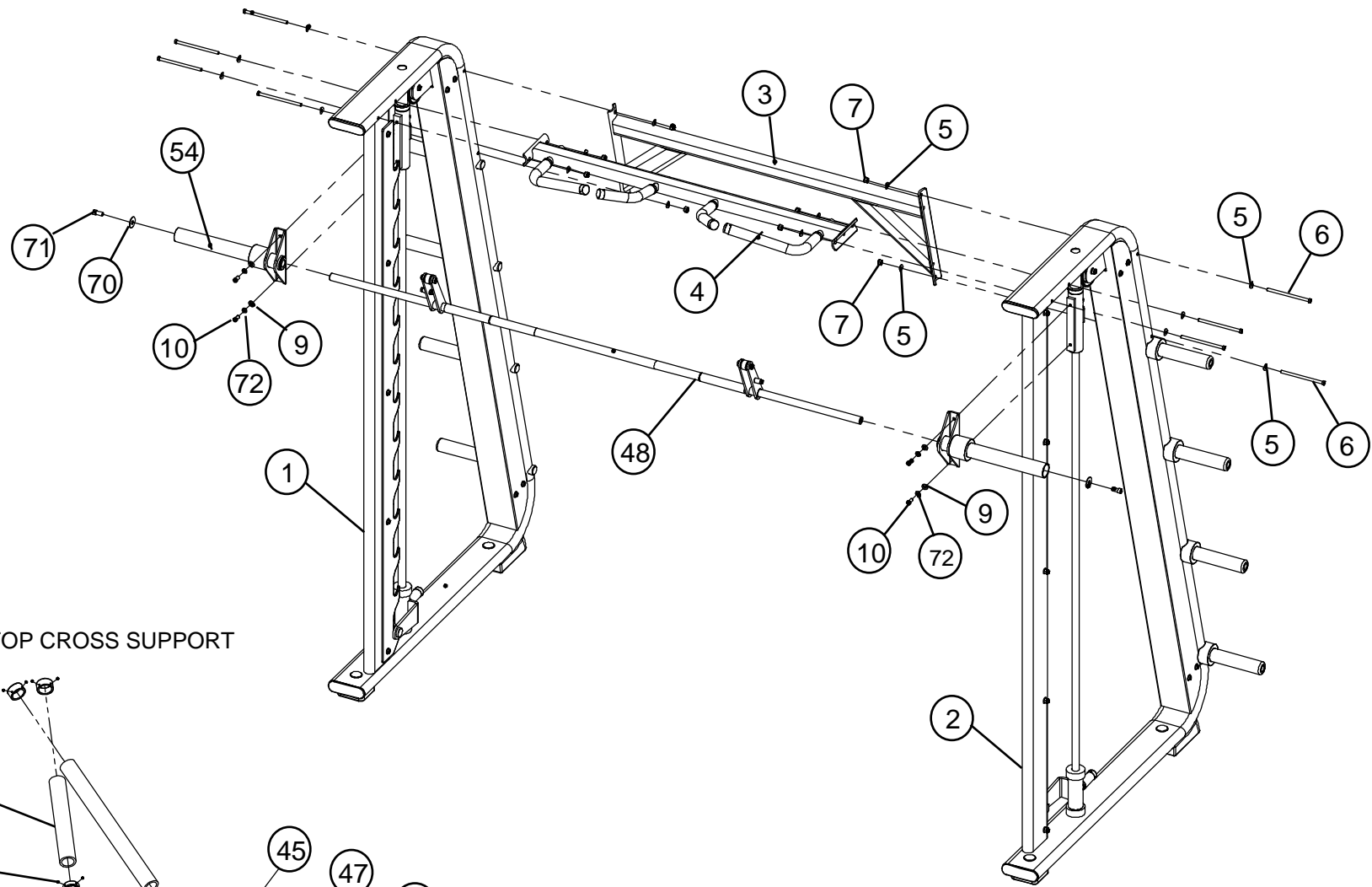
SMITH MACHINE



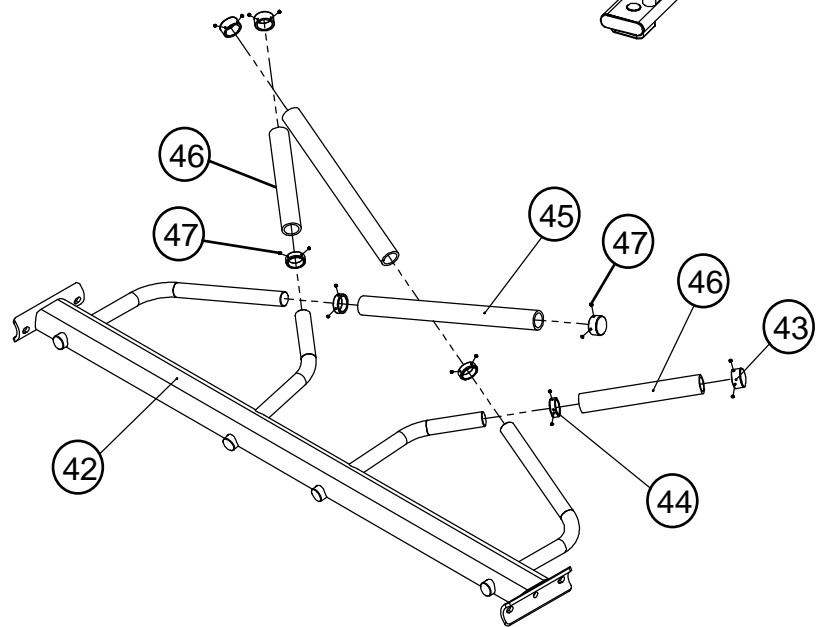
PARTS LIST

ITEM	QTY	PART NO	Paragon P/N	DESCRIPTION	CHINESE DESCRIPTION
1	1	5337701-C	P00-0584A	ASSY, SM RIGHT SIDE	右主架組
2	1	5337801-C	P00-0584B	ASSY, SM LEFT SIDE	左主架組
3	1	53293PA-C	P04-3012	PTD ASSY, SM REAR CROSS SUPPORT	連接管組
4	1	53290PA-A	P20-3211	PTD ASSY, SM TOP CROSS SUPPORT	把手管組
5	16	2003001		WASHER, 3/8" SAE CURVED	弧形華司
6	8	2005424		BOLT, 3/8-16 X 6-1/4" (159mm) SOCKET HEAD	六角承窩螺絲 3/8"x 6-1/4"L
7	22	2001201		NUT, 3/8-16 LK ST ZN	尼龍螺帽3/8"-16x11T
8	1	5331701-B	P20-3296+P20-3207	ASSY, SM BAR	
9	28	2001101		WASHER, FLAT 3/8 SAE ST ZN	平面華司 20X10.5X1.0T
10	4	2006401		BOLT, 3/8-16 X 3/4" (19mm) SOCKET HEAD W/NP	六角承窩螺絲 3/8"x 3/4"L
11	1	53280PA-A	P20-3197	SUB ASSY, SM RIGHT SIDE FRAME	右立管
12	2	53299PA-A	P20-3198	ASSY, COUNTER WEIGHT	配重塊組
13	2	5332901-A	P02-4493	SM BAR RACK	調整片
14	2	5330301-A	P03-2066	GUIDE ROD	導桿
15	2		P03-2077	COUNTER WEIGHT ROD	鐵心
16	4		P05-0248	COLLAR	固定軸套
17	2		P06-0073	BUMPER	緩衝墊
18	2	5094401	P06-0960	PULLEY, 3-1/2 OD X 25	小滑輪
19	2	5094501	P06-0961	PULLEY, 4-1/2 OD X 25	大滑輪
20	2	5330201-C	P10-0850	SHROUD	護網
21	2	5330101-A	P13-0341	SM CABLE	連接鋼索
22	2	53309PA-A	P20-3194	ASSY, SM BAR LOWER STOP	套管組
23	2	53304PA-A	P20-3195	ASSY, SM BAR SLIDER	套管組
24	10	2006503		BOLT, 1/4-20 X 3/4" (19mm) SOCKET HEAD W/NP	六角承窩螺絲 1/4"x 3/4"L 點耐落
25	12			BOLT, 3/8-16 X 1" (25mm) SOCKET HEAD W/NP	六角承窩螺絲 3/8"x 1"L 點耐落
26	16			BOLT, 3/8-16 X 1/2" (13mm) SOCKET HEAD W/NP	六角承窩螺絲 3/8"x 1/2"L 點耐落
27	4			BOLT, 3/8-16 X 2" (51mm) SOCKET HEAD	六角承窩螺絲 3/8"x 2"L
28	10			BOLT, 3/8-16 X 2 1/2" (64mm) SOCKET HEAD	六角承窩螺絲 3/8"x 2 1/2"L
29	1	53289PA-A	P20-3199	SUB ASSY, SM LEFT SIDE FRAME	左立管組
30	1	5328001-A	P04-3006	RIGHT SIDE FRAME WELDMENT	右立管
31	4		P06-0134	CAP, HOLE	扣塞
32	4	5205401-A	P06-2129	END CAP, FLATOVAL	橢圓管塞
33	2	5213101-B	P06-2147	FOOT PAD	腳墊
34	8	5278401-A	P06-2206	WEIGHT BUMPER	緩衝墊
35	8	5278501-B	P06-2207	PLASTIC SLEEVE	塑膠管
36	2	5293901-B	P06-2254	FOOT, TOWER	腳墊
37	4	5328801-B	P06-2331	SPACER	塑膠套管
38	8			WASHER, FLAT 16 X 6.5 X 1.0T	平面華司16X6.5X1.0T
39	8			AVK INSERT	拉帽
40	8			RIVET	拉釘

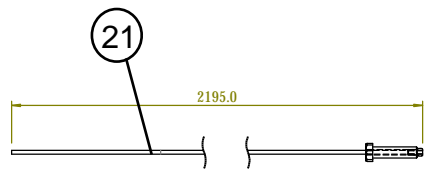
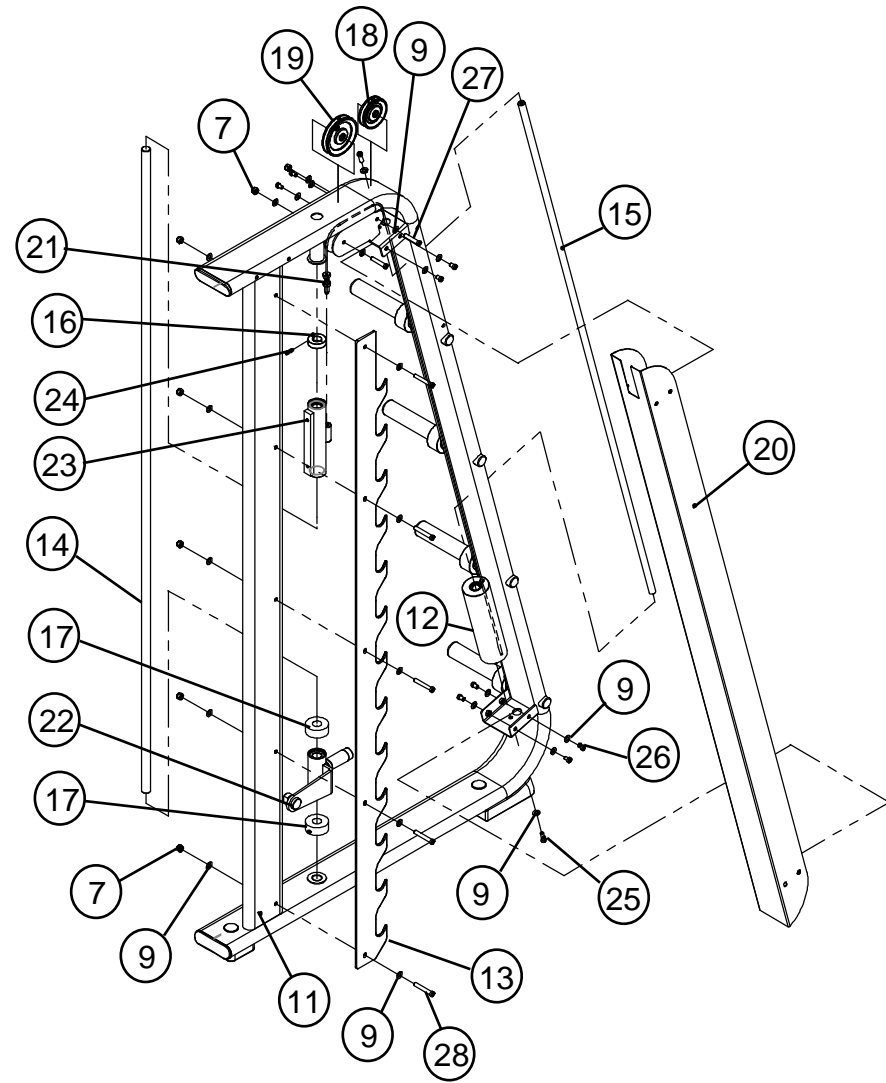
41	1	5328901-A	P04-3007	LEFT SIDE FRAME WELDMENT	左立管
42	1	5329001-A	P04-3013	SM TOP CROSS SUPPORT	連接管
43	4	5095701-B	P05-1001	ALUMINUM CAP	鋁蓋
44	4	5095601-B	P05-1002	COLLAR	固定軸套
45	2	5316101-A	P06-2305	HAND GRIP	把手套
46	2	5316201-A	P06-2306	HAND GRIP	把手套
47	12			SET SCREW M4x3mmL	止付螺絲
48	1	53318PA-A	P20-3207	SUB ASSY, SM BAR	杠鈴棒組
49	2	2002208	P05-1028	SHOULDER BOLT	限位螺絲
50	2	5332301-B	P06-2332	SPACER	塑膠套管
51	2		P20-3220	ASSY, SPACER	套管組
52	2			BOLT, 3/8-16 X 1 1/2" (38mm) SOCKET HEAD	六角承窩螺絲 3/8"x 1 1/2"L
53	4			NUT, 3/8-16 LK LOW ST ZN	尼龍螺帽3/8"-16x7.2T
54	1	53324PA-A	P20-3196	ASSY, WEIGHT BAR SUPPORT	套管組
55	1	5332401-A	P04-3014	WEIGHT BAR SUPPORT WELDMENT	套管
56	1	5332801-B	P06-2330	CUSHION	橡膠墊
57	6		P08-0032	BUSHING	含油軸承
58	2	5332201-A	P03-2076	SPACER	套管
59	4		P08-0096	BUSHING	含油軸承
60	1	5331801-A	P04-3011	SM BAR WELDMENT	杠鈴棒
61	2	5329901-A	P03-2067	COUNTER WEIGHT	配重塊
62	4		P08-0048	BUSHING	含油軸承
63	4			EXTERNAL SNAP RING RTW-32	C型扣
64	2	5330901-A	P04-3010	LOWER STOP	固定套管
65	2	5284501-A	P06-2238	GRIP	把手套
66	4			EXTERNAL SNAP RING RTW-45	C型扣
67	2	5330401-A	P04-3008	SM BAR SLIDER	套管
68	4			LINEAR BEARING	線徑軸承
69	4			EXTERNAL SNAP RING RTW-40	C型扣
70	2			WASHER, FLAT 1-1/2 x 1/2 SAE ST ZN	平面華司 38X13X2.0T
71	2			BOLT, 1/2-13 X 1" (25mm) SOCKET HEAD W/NP	六角承窩螺絲 1/2"x 1"L 點耐落
72	4			SPLIT WASHER	彈簧華司 17X10X2.0T



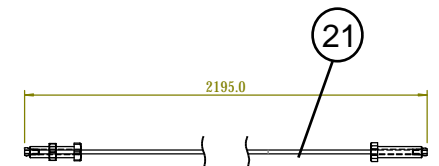
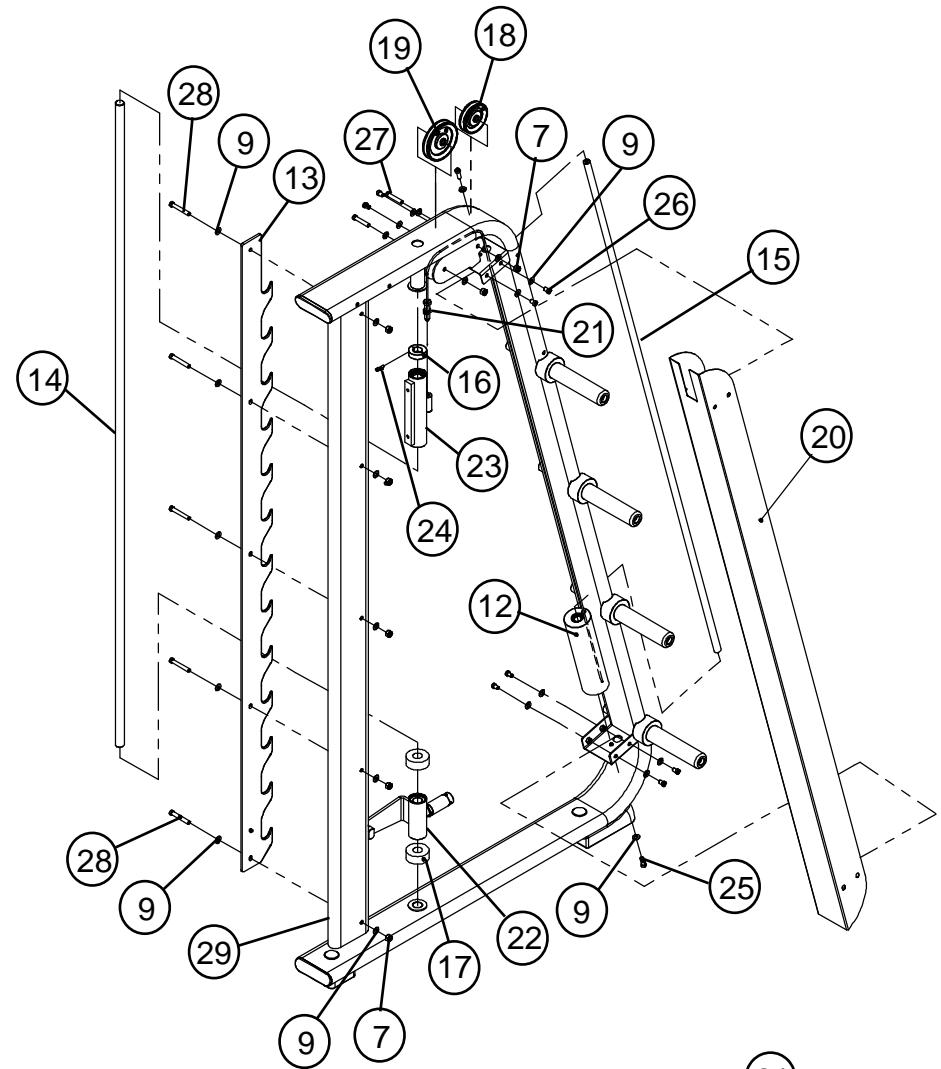
#4 P/N 53290PA-A
PTD ASSY, SM TOP CROSS SUPPORT



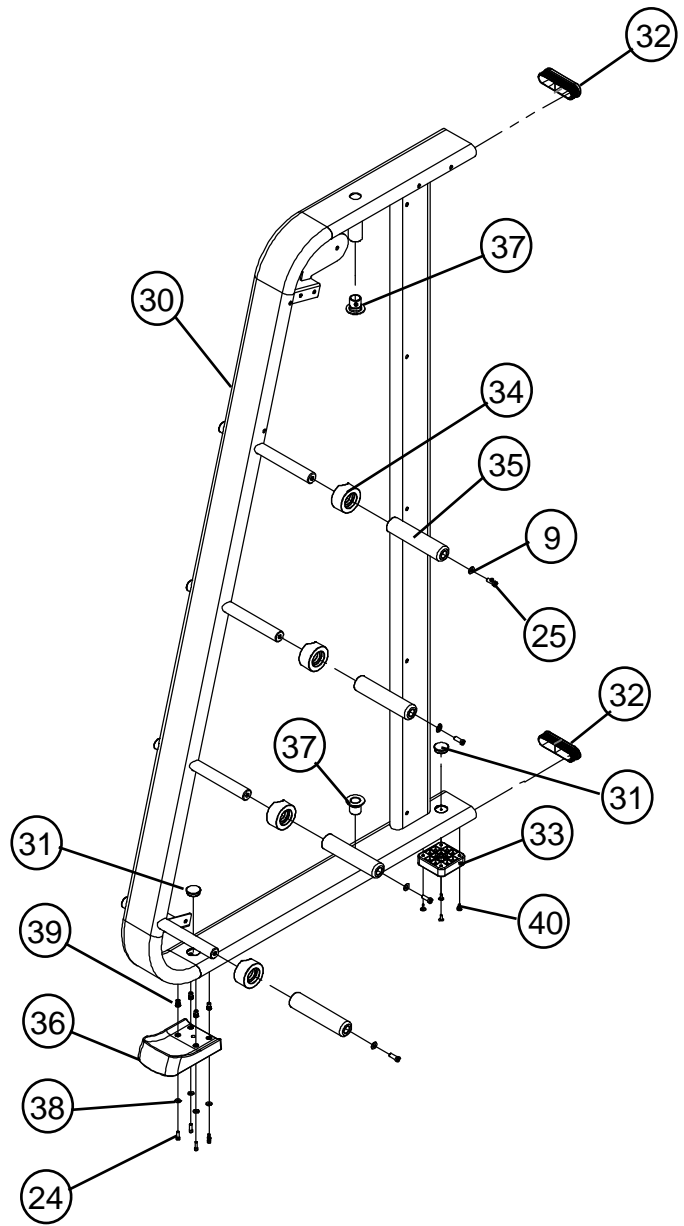
#1 P/N 5337701-C ASSY, SM RIGHT SIDE



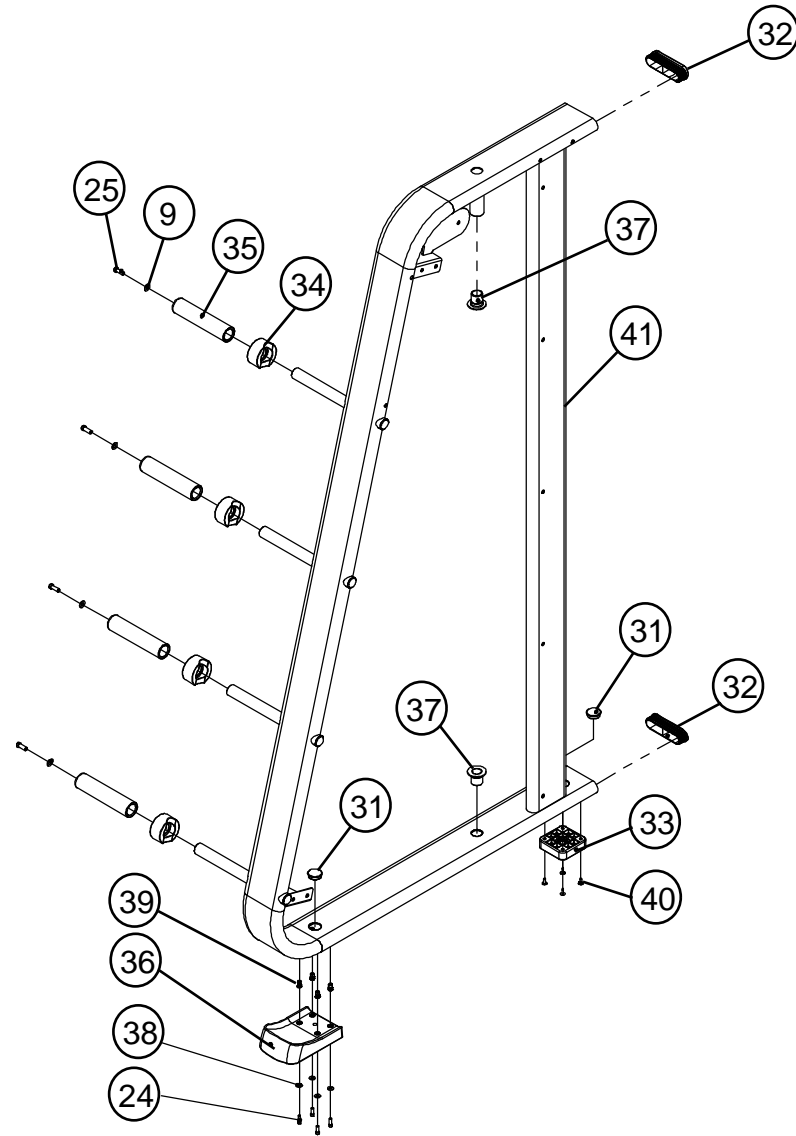
#2 P/N 5337801-C ASSY, SM LEFT SIDE



#11 P/N 53280PA-A SUB ASSY, SM RIGHT SIDE FRAME



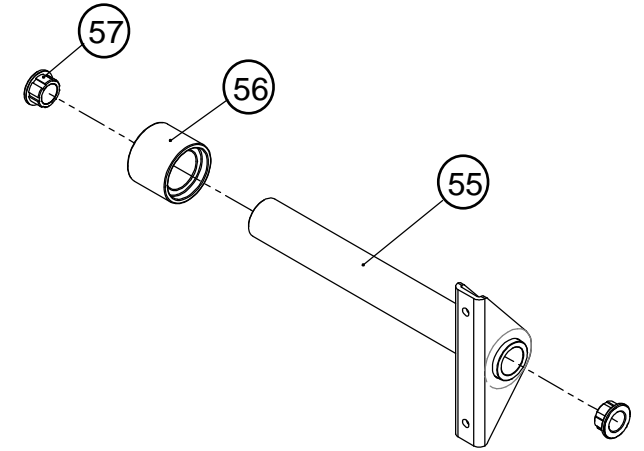
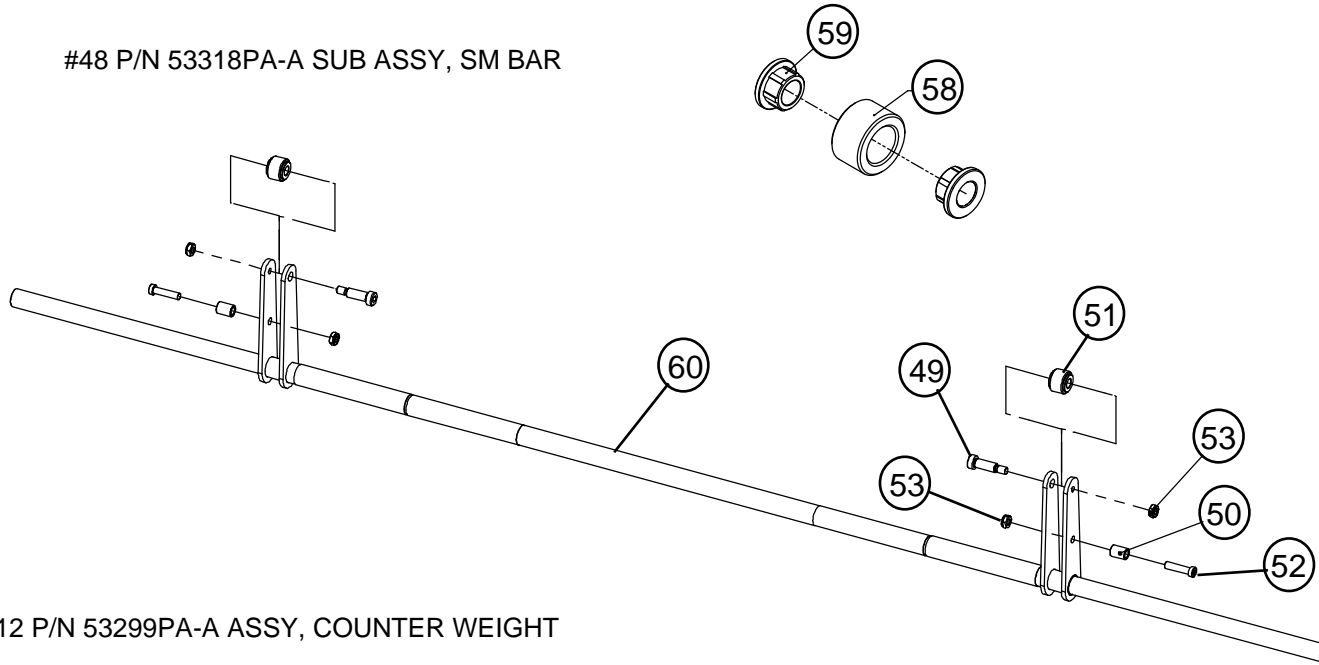
#29 P/N 53289PA-A SUB ASSY, SM LEFT SIDE FRAME



#48 P/N P20-3220 ASSY, SPACER

#54 P/N 53324PA-A ASSY, WEIGHT BAR SUPPORT

#48 P/N 53318PA-A SUB ASSY, SM BAR



#12 P/N 53299PA-A ASSY, COUNTER WEIGHT

#23 P/N 53304PA-A ASSY, SM BAR SLIDER

#22 P/N 53309PA-A ASSY, SM BAR LOWER STOP

