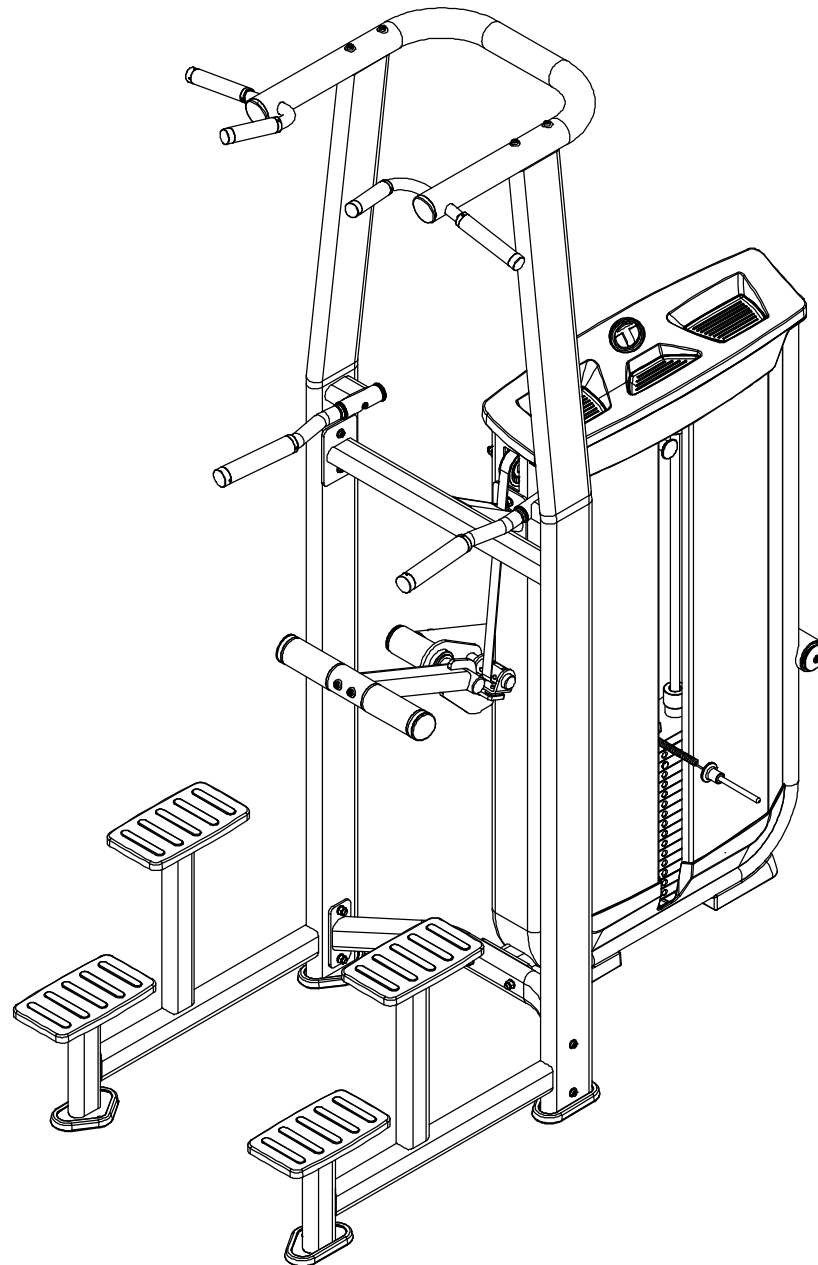


ASSIST CHIN-DIP

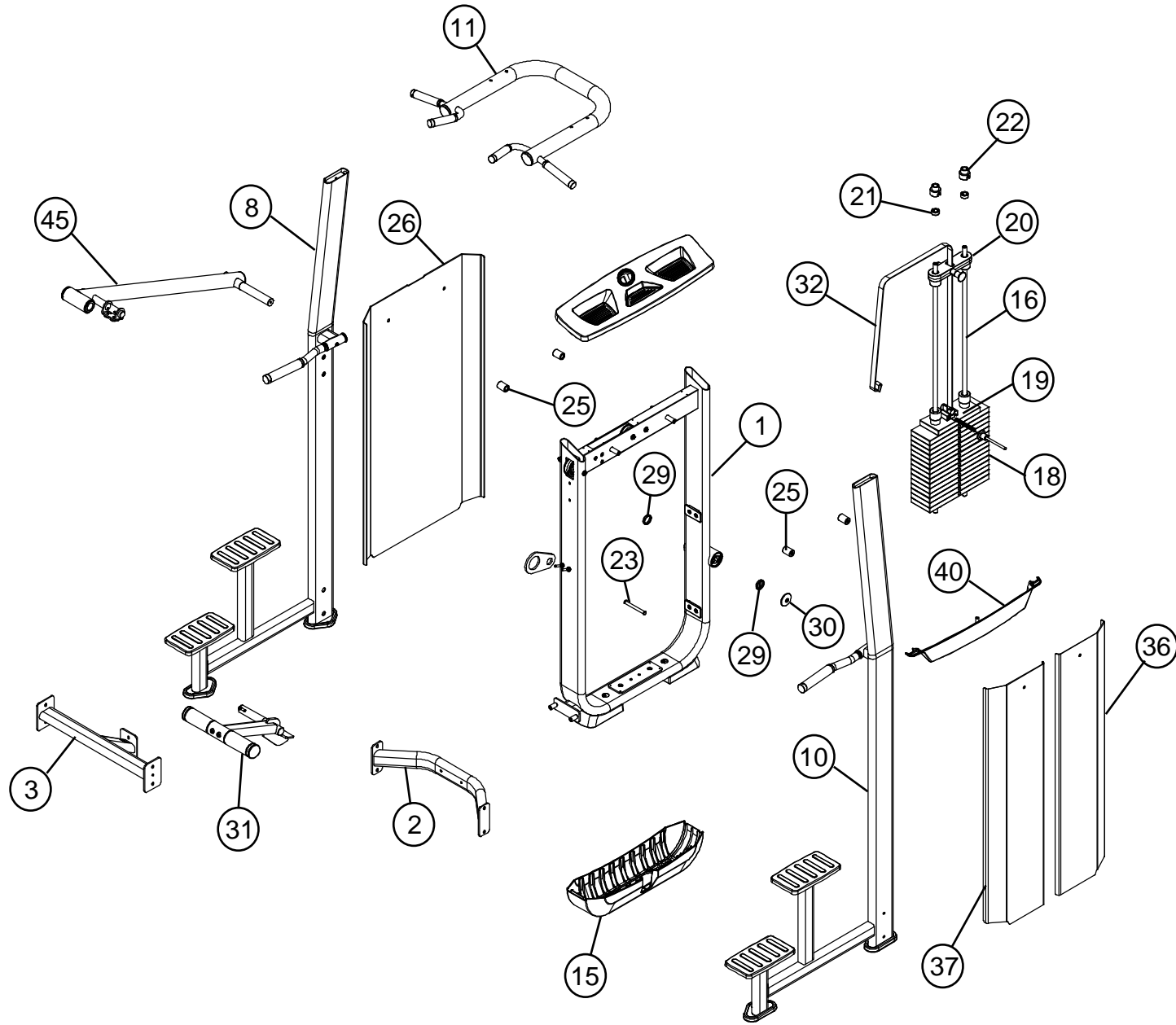


PARTS LIST

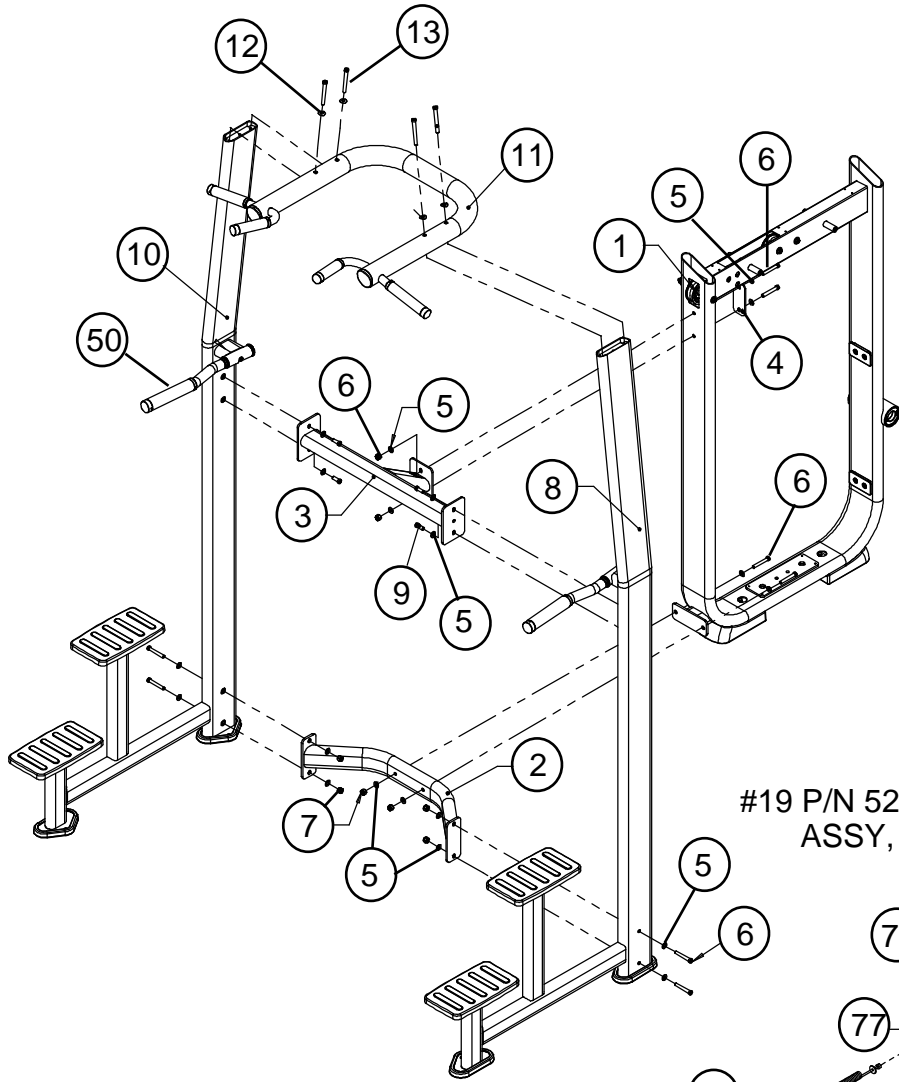
| ITEM | QTY | PART NO | Paraong P/N | DESCRIPTION | Chinese Description |
|------|-----|-----------|-------------|---|-----------------------------|
| 1 | 1 | 53701PA | P20-3992 | PTD ASSY, ACD TOWER | 主架固定管組 |
| 2 | 1 | 5370701 | P04-3617 | WLDMT, ACD LOWER SUPPORT | 連接管組 |
| 3 | 1 | 53704PA | P04-3620 | PTD ASSY, ACD UPPER SUPPORT | 連接管組 |
| 4 | 1 | 5285001-A | P02-4389 | PLATE, 50 X 120 X 4MM | 連接片 |
| 5 | 26 | 2001101 | | WASHER, FLAT 3/8 SAE ST ZN | 平面華司20x10.5x1.0t |
| 6 | 8 | 2005409 | | BOLT, 3/8-16 X 2-1/2" (64mm) SOCKET HEAD | 六角承窩螺絲 3/8"-16x 2 1/2"L |
| 7 | 8 | 2001201 | | NUT, 3/8-16 LK ST ZN | 尼龍螺帽 3/8"-16X11T |
| 8 | 1 | 53710PA | | PTD ASSY, ACD LEFT SIDE FRAME | 固定立管組左 |
| 9 | 6 | 2006403 | | BOLT, 3/8-16 X 1" (25mm) SOCKET HEAD W/NP | 六角承窩螺絲 3/8"-16x 1"L 點耐落 |
| 10 | 1 | 53711PA | | PTD ASSY, ACD RIGHT SIDE FRAME | 固定立管組右 |
| 11 | 1 | 53718PA | P20-3996 | PTD ASSY, ACD CHIN-UP | 上固定管組 |
| 12 | 4 | 2003001 | | WASHER, 3/8" SAE CURVED | 弧形華司 |
| 13 | 4 | 2006413 | | BOLT, 3/8-16 X 3-1/2" (89mm) SOCKET HEAD W/NP | 六角承窩螺絲 3/8"-16x 3-1/2"L 點耐落 |
| 14 | 1 | 5212601 | P06-2151 | COVER, TOWER BASE | 塑膠底座 |
| 15 | 12 | 2004802 | | SCREW, 10-32 X 1/2" (12MM) PAN HEAD W/NP | 大扁頭十字螺絲#10-32x1/2"L 點耐落 |
| 16 | 2 | 5209701-A | P01-3735 | GUIDE ROD, 19 DIA X 1315 | 升降桿 |
| 17 | 2 | 5098201 | P06-0034 | CUSHION, WEIGHT STACK | 橡膠墊 |
| 18 | 15 | 52101PA-B | P10-0778 | PTD ASSY, 15 LB WEIGHT PLATE | 選擇片 |
| 19 | 1 | 5250201-C | P20-2989 | ASSY, 15 PLATE HEAD PLATE | 上片組 |
| 20 | 1 | 5218201-D | P20-2988 | ASSY, 7.5LB INC. WEIGHT | 配重塊組 |
| 21 | 2 | 5095301 | A05-0212 | SHAFT COLLAR, GUIDE ROD | 固定軸套 |
| 22 | 2 | 5209801 | P06-2144 | BUSHING, GUIDE ROD RETAINER | 升降桿護套 |
| 23 | 1 | 5282301-A | P05-1003 | PIN, WEIGHT PLATE LOCKING | 插銷 |
| 24 | 1 | 2002801 | | E-RING, EXTERNAL 8MM ID | E型扣 ETW-9 |
| 25 | 4 | 5213201-B | P06-2146 | MOUNT, 19MM ID STANDOFF | 橡膠套 |
| 26 | 1 | 5297001 | P10-0783 | ASSY, REAR SHROUD | 后護蓋 |
| 27 | 4 | 2005405 | | BOLT, 3/8-16 X 1-1/2" (38mm) SOCKET HEAD | 六角承窩螺絲 3/8"-16x 1 1/2"L |
| 28 | 1 | 54550PA | P20-3997 | PTD ASSY, ACD LIFT ARM | 活動管組 |
| 29 | 2 | 5349201 | P03-2181 | SPACER, 35 ID X 45 OD X 8 | 套管 |
| 30 | 2 | 5215901 | P05-0979 | CAP, AL END 6205Z BEARING HOUSING | 鋁蓋 |
| 31 | 1 | 54554PA | P20-3995 | PTD ASSY, ACD FOOT SUPPORT | 活動管組 |
| 32 | 1 | 5373501 | P17-0019 | BELT, ACD | 皮帶 |
| 33 | 1 | 5209501-A | P02-4387 | PLATE, BELT WRAP | 固定片 |
| 34 | 1 | 5208201-A | P02-4266 | PLATE, BELT CLAMP | 固定片 |
| 35 | 2 | 2006406 | | BOLT, 3/8-16 X 1-3/4" (45mm) SOCKET HEAD W/NP | 六角承窩螺絲 3/8"-16x 1 3/4"L 點耐落 |
| 36 | 1 | 5248901-A | P10-0807 | SHROUD, TOWER FRONT N/O | 前護網右 |
| 37 | 1 | 5212901-B | P10-0785 | SHROUD, TOWER FRONT - LH | 前護網左 |
| 38 | 1 | 5297701 | | LABEL, WEIGHT STACK 15LBS | 磅數表 |
| 39 | 1 | 5294601-A | P20-2990 | ASSY, TOWER CAP | 塑膠蓋組 |

| | | | | | |
|----|----|-----------|----------|---|-------------------------|
| 40 | 1 | 5373301 | | ASSY, ACD PLACARD | 塑膠蓋含運動看板 |
| 41 | 1 | 5244101 | P06-2156 | TRAY, TOWER CAP - SMALL | 橡膠墊 |
| 42 | 2 | 5244001 | P06-2155 | TRAY, TOWER CAP - LARGE | 橡膠墊 |
| 43 | 1 | 5371801 | P04-3621 | ACD CHIN UP WELDMENT | 上固定管焊接件 |
| 44 | 2 | 5351401 | P06-2789 | HAND GRIP | 把手套 |
| 45 | 4 | 5095601-B | P05-1002 | COLLAR | 固定軸套 |
| 46 | 4 | 5095701-B | P05-1001 | ALUMINUM CAP | 鋁蓋 |
| 47 | 2 | 5234701-A | P06-2217 | HAND GRIP, VERTICAL | 把手套 |
| 48 | 2 | 5226801-A | P06-2130 | ROUND END CAP | 圓管內塞 |
| 49 | 16 | | | SET SCREW M4x3mmL W/NP | 止付螺絲 點耐落 |
| 50 | 2 | | P20-3059 | DIP HANDLE ASSEMBLY | 把手管組 |
| 51 | 2 | 5231201-A | P04-2869 | DIP HANDE WELDMENT | 把手管焊接件 |
| 52 | 2 | 5096301-B | P05-0997 | ALUMIMUM COLLAR | 鋁環 |
| 53 | 2 | 5208801-A | P06-2216 | HAND GRIP | 把手套 |
| 54 | 2 | 5096601-B | P05-0996 | ALUMINUM CAP | 鋁蓋 |
| 55 | 1 | 5455001 | P04-3622 | ACD LIFT ARM WELDMENT | 活動管焊接件 |
| 56 | 2 | 5355301 | P08-0207 | BUSHING | 含油軸承 |
| 57 | 2 | | P06-0014 | BUMPER | 緩衝墊 |
| 58 | 1 | 5226801-A | P06-2130 | ROUND END CAP | 圓管內塞 |
| 59 | 1 | 5455401 | P04-3623 | ACD FOOT SUPPORT WELDMENT | 活動管焊接件 |
| 60 | 1 | 5372801 | P03-2579 | ACD FOOT | 固定套管 |
| 61 | 1 | 5370101 | P04-3616 | ACD TOWER WELDMENT | 主架固定管焊接件 |
| 62 | 2 | 5293901-B | P06-2254 | FOOT, TOWER | 腳墊 |
| 63 | 2 | 5203801-A | A06-0231 | BELT, PULLEY | 平皮帶滑輪 |
| 64 | 4 | 5213001-A | P06-2143 | CUSHION, SHROUD HOLDER | 緩衝墊 |
| 65 | 6 | 5248501-A | P08-0121 | SPACER, FLNG 16.2 X 10.1 X 6 | T 帽套管 |
| 66 | 8 | | | WASHER, FLAT 12mm X 5.2mm SAE ST ZN | 平面華司 12x5.2 |
| 67 | 2 | | | BOLT, 3/8-16 X 3-1/2" (76mm) SOCKET HEAD | 六角承窩螺絲 3/8" x 3 1/2"L |
| 68 | 8 | | | AVK INSERT | 拉帽 |
| 69 | 8 | | | WASHER, FLAT 16mm X 6.5mm SAE ST ZN | 平面華司 16x6.5 |
| 70 | 8 | 2006503 | | BOLT, 1/4-20 X 3/4" (19mm) SOCKET HEAD W/NP | 六角承窩螺絲 1/4" x 3/4"L 點耐落 |
| 71 | 2 | | | 6007ZZ BEARING | 培林 |
| 72 | 2 | | P08-0196 | BUSHING | 含油軸承 |
| 73 | 1 | | | BOLT, 3/8-16 X 6-1/4" (159mm) SOCKET HEAD | 六角承窩螺絲 3/8" x 6 1/4"L |
| 74 | 1 | 5223801-B | P04-2813 | PLATE, LIMIT | 限位片組 |
| 75 | 1 | 52102PA-B | P10-0777 | 15LB HEAD PLATE | 上片 |
| 76 | 1 | 5210901-A | P10-0781 | SELECTOR STEM | 選擇桿 |
| 77 | 1 | 5303701-A | P02-4395 | LANYARD CLIP | 卡片 |
| 78 | 1 | 5211301-A | P03-1946 | BELT CLAMP | 鐵心 |
| 79 | 1 | | P05-0187 | CLEVIS PIN | 彈簧鞘 |
| 80 | 1 | 5211201-B | P06-2134 | BELT CLAMP HOUSING | 塑膠塊 |

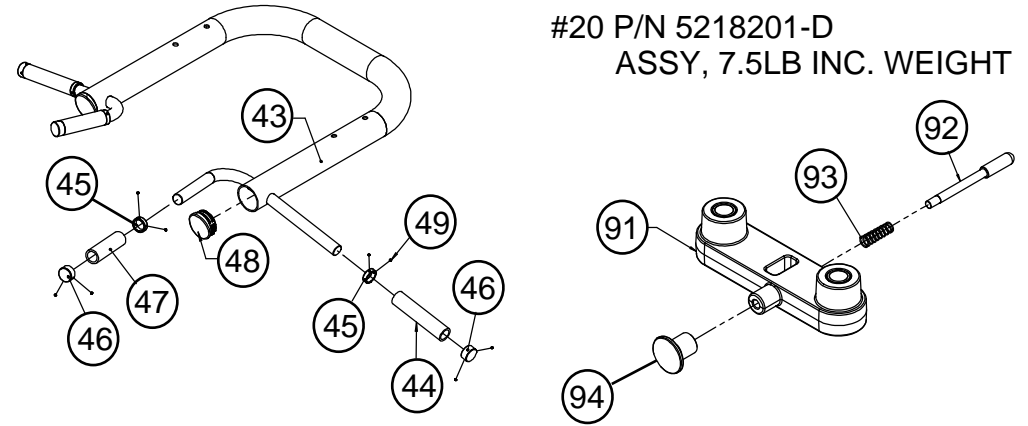
| | | | | | |
|----|---|------------|----------|-------------------------------|----------|
| 81 | 2 | 5218401-B | P06-2145 | BUMPER | 橡膠墊 |
| 82 | 1 | 5245301 | P11-0183 | WEIGHT STACK SELECTOR PIN | 選擇桿插鞘組 |
| 83 | 1 | 5243801-C | P06-2152 | TOWER CAP | 塑膠蓋 |
| 84 | 1 | | P10-0098 | BADGE | 銘牌 |
| 85 | 1 | 5371001 | P04-3618 | ACD LEFT SIDE FRAME WELDMENT | 左固定立管焊接件 |
| 86 | 2 | 5373201 | P06-2793 | ACD FOOT PAD | 腳墊 |
| 87 | 2 | 5257201-A | P06-2203 | FOOT, SIDE FRAME | 橡膠墊 |
| 88 | 2 | | P08-0037 | BUSHING | 含油軸承 |
| 89 | 1 | 5208901-A | P05-0981 | ALUMIMUM CAP | 鋁蓋 |
| 90 | 1 | 5371101 | P04-3619 | ACD RIGHT SIDE FRAME WELDMENT | 右固定立管焊接件 |
| 91 | 1 | 52180PA-C | P10-0780 | 7.5LB INC. WEIGHT | 配重塊 |
| 92 | 1 | 5218101-A | P05-0991 | PIN, 7.5LB INC. WEIGHT | 插鞘桿 |
| 93 | 1 | P46609-101 | A05-1079 | SPRING | 壓縮彈簧 |
| 94 | 1 | 5244901-C | P06-2132 | KNOB, 7.5LB INC. WEIGHT | 插鞘頭 |



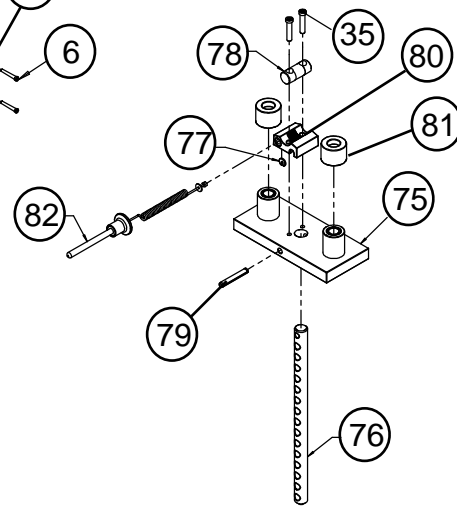
#11 P/N 53718PA PTD ASSY, ACD CHIN UP



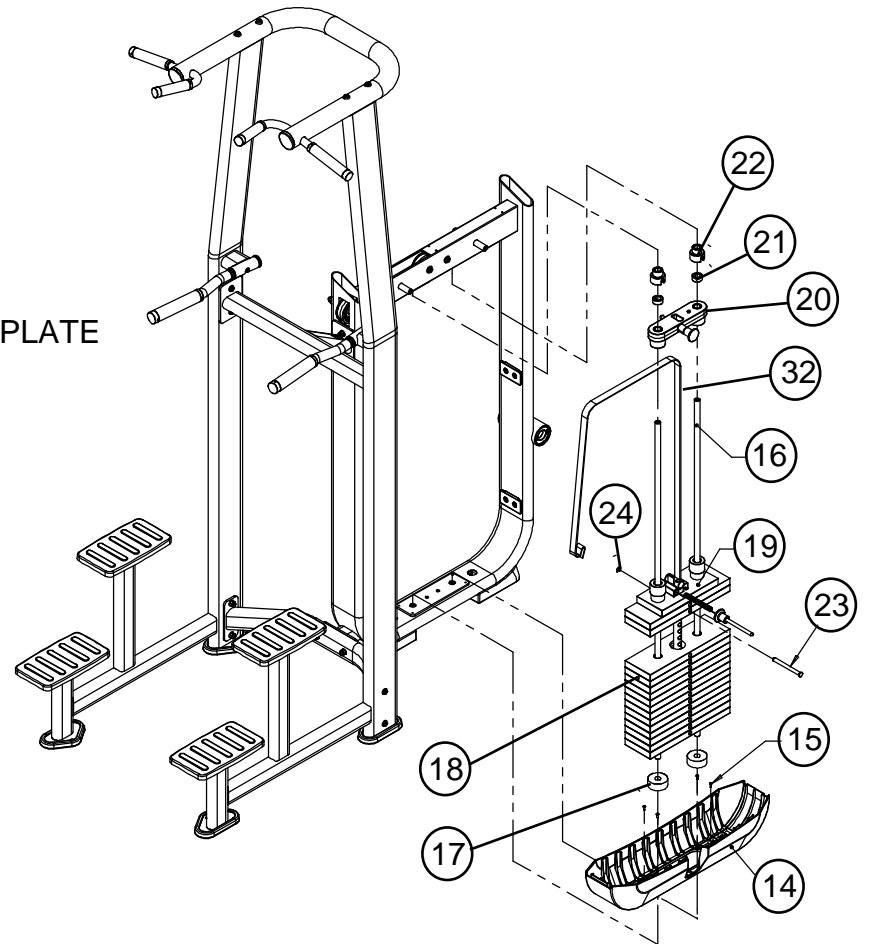
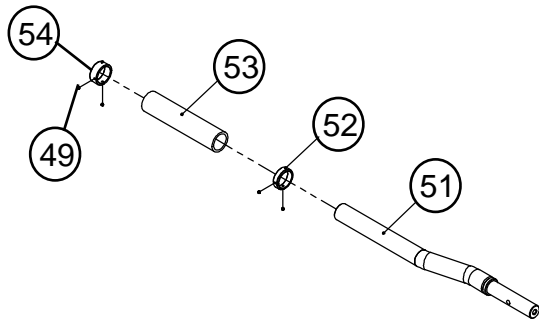
#20 P/N 5218201-D
ASSY, 7.5LB INC. WEIGHT



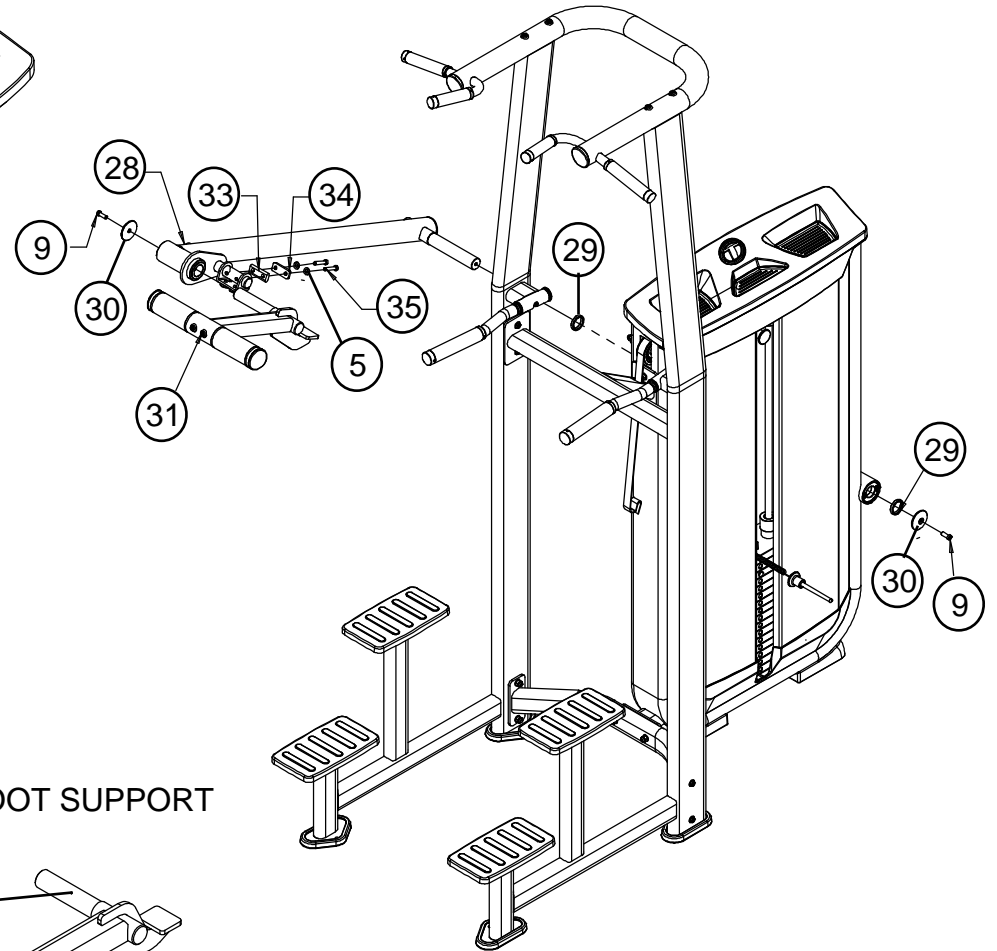
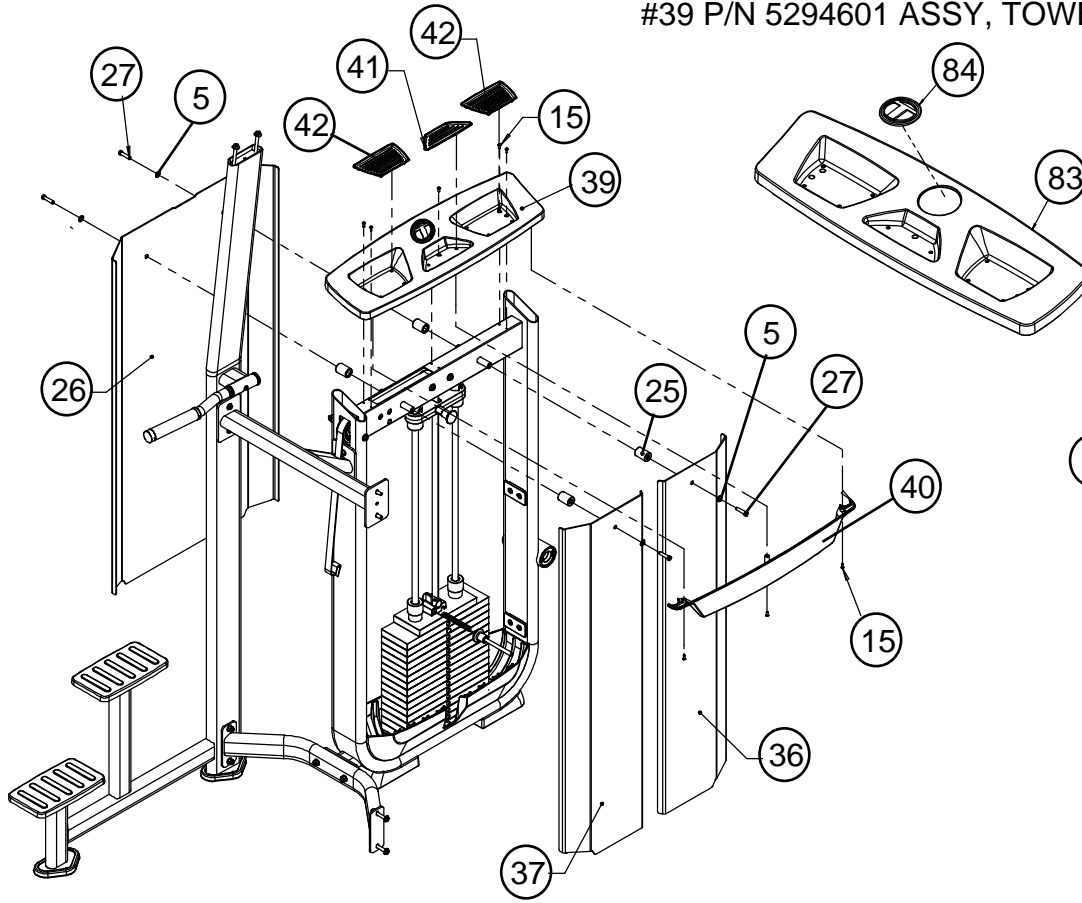
#19 P/N 5250201-C
ASSY, 15 PLATE HEAD PLATE



#50 P/N P20-3059 ASSY, DIP HANDLE

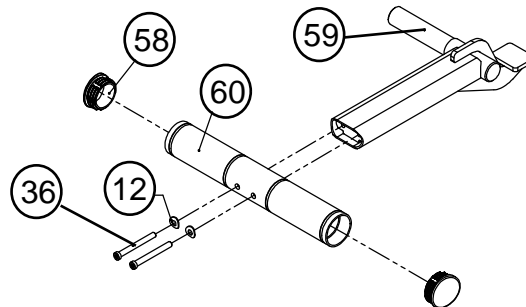
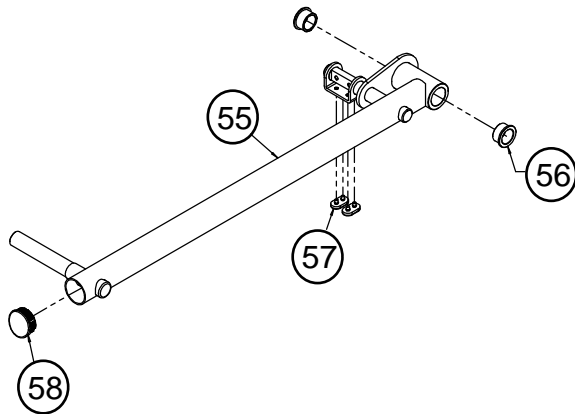


#39 P/N 5294601 ASSY, TOWER CAP

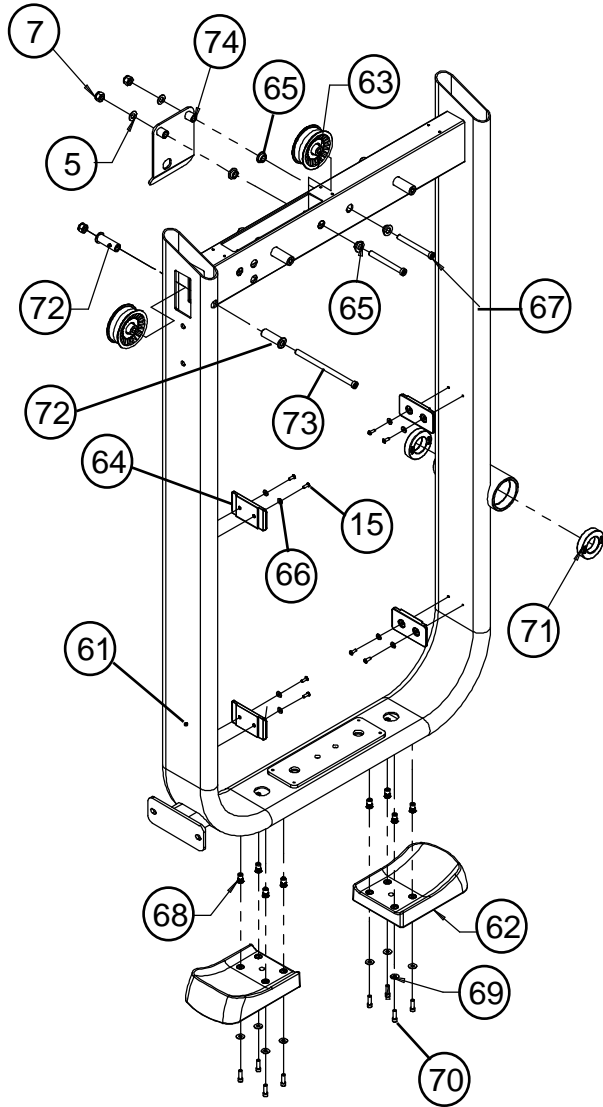


#28 P/N 54550PA PTD ASSY, ACD LIFT ARM

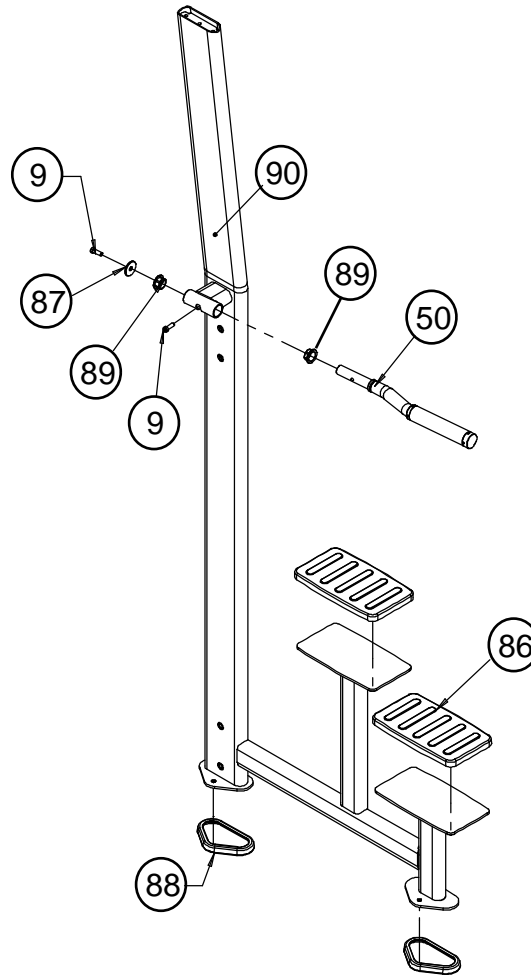
#31 P/N 54554PA PTD ASSY, ACD FOOT SUPPORT



#1 P/N 53701PA PTD ASSY, ACD TOWER



#10 P/N 53711PA
PTD ASSY, ACD RIGHT SIDE FRAME



#8 P/N 53710PA
PTD ASSY, ACD LEFT SIDE FRAME

